

User Manual

DVP-7635HE

TABLE OF CONTENTS


1. PRODUCT INTRODUCTION	3
1.1. PRODUCT BRIEF	3
1.2. SPECIFICATION	3
2. HARDWARE INSTALLATION.....	5
2.1. PACKAGE CONTENTS	5
2.2. CONNECTION DIAGRAM	5
2.3. PRECAUTION	6
2.4. PCI/PCIE	6
3. SOFTWARE INSTALLATION	6
3.1. SUPPORT OS	6
3.2. DRIVER INSTALLATION	6

1. PRODUCT INTRODUCTION

1.1. Product Brief

DVP-7635HE is a high-quality, high-performance capture device which is specially designed for high-definition video capture applications. It supports up to 4 channel of high-definition, 1080p30 video from 4x TVI source and selectable 2 x 3.5mm (4 mono) audio source. With hardware support, DVP-7635HE can record live video from high-definition signal sources into H.264 files.

1.2. Specification

Model	DVP-7635HE
Max. FPS	1920x1080p@30/25fps in → 1920x1080p@30/25fps out
Recording Mode	Hardware Compression, Real-Time Mode
Product photo	
Dimension	150 x 101.02(mm) PCIe Full Height
Interface	PCIe x4 (Gen2)
Video Input	4 x TVI
Display Video Format	YV12,NV12,YUY2,RGB24,RGB32
Video RAW Data Resolution	TVI / Compatible Analog HD (A/C) 1920x1080p@30/25fps 1280x720p@60/50/30/25fps 960H / CVBS 960x480i@60fps 720x480i@60fps 960x576i@50fps 720x576i@50fps
Recording Video Format	H.264 (Hardware Compression)
Recording Video	TVI / Compatible Analog HD (A/C) 1920x1080p@30/25fps

Resolution	1280x720p@60/50/30/25fps 960H / CVBS 960x480i@60fps 720x480i@60fps 960x576i@50fps 720x576i@50fps
Audio Input	2 x 3.5mmAudio
Audio Format	Stereo / 16-bit / 32000 ~ 48000Hz
WatchDog	✓
Multiple Cards	∞
SDK	VC++ / C# / .NET / VB / V4L2

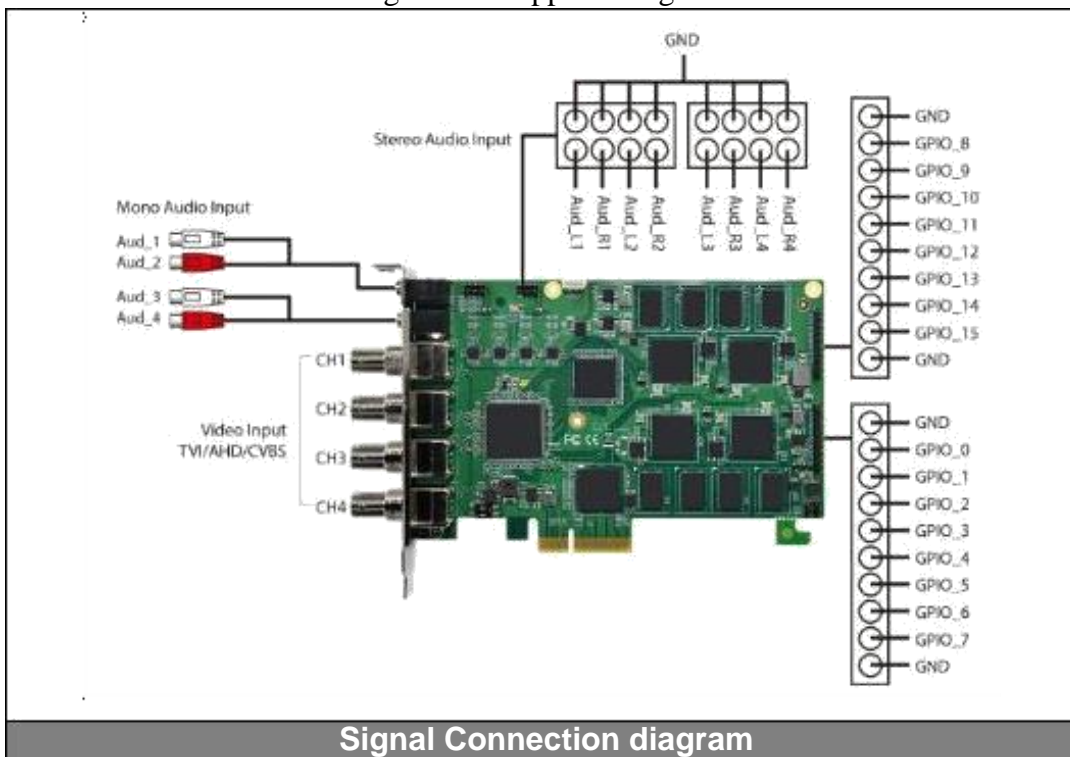
2. HARDWARE INSTALLATION

2.1. Package Contents

Item	Amount
DVP-7635HE	1
2 x RCA to 3.5mm stereo analog audio cable	2

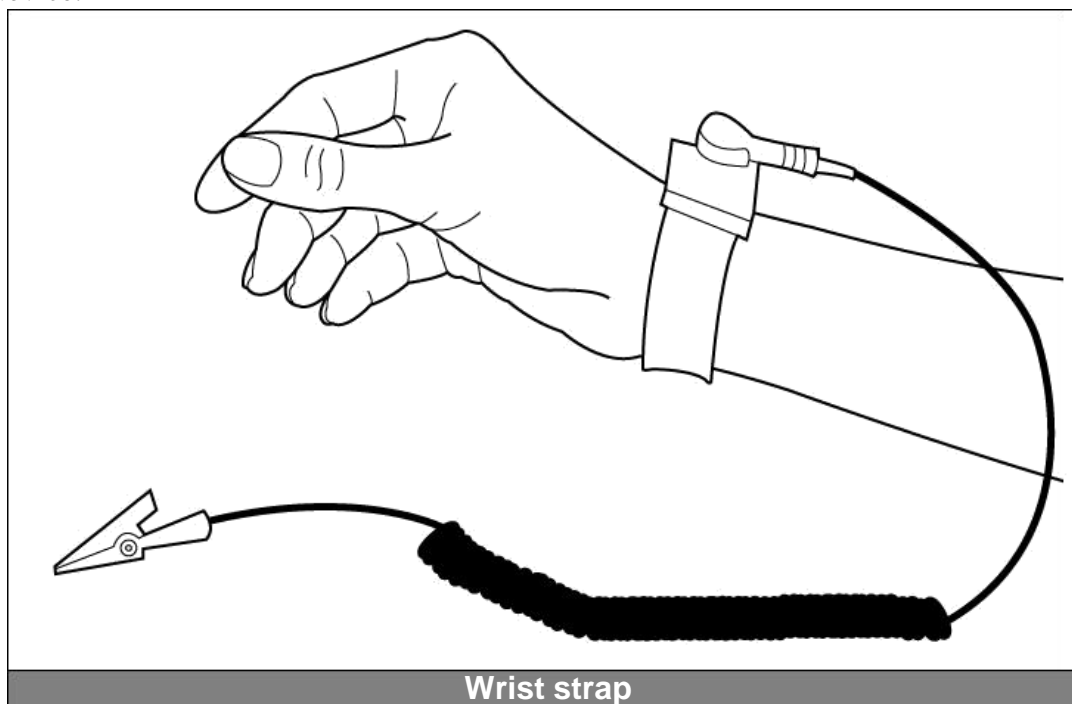
2.2. Connection Diagram

Figure below is the connection diagram for supported signal and interface.



2.3. Precaution

Before proceed, make sure touch a safely grounded object or metal object before touching the device.



Please follow below chapter for installation operations

2.4. PCI/PCIE

- Turn off PC/notebook and remove power cord from AC plug/sockets on the wall.
- Remove notebook battery.
- After make sure the system is fully shut down, open the chassis.
- Unpack the device package and make sure don't touch any electrical and semiconductor components on the device, especially ICs on board.
- Install PCI/PCIE card to available motherboard PCI/PCIE slot and fasten the screw on the device and back plate.
- Close the chassis and connect signal source to the device.
- Turn on the system.

3. SOFTWARE INSTALLATION

3.1. Support OS

Windows based system	Windows XP	Support
	Windows Vista	Support
	Windows 7	Support
	Windows 8/8.1	Support
	Windows 10	Support
Linux based system	Linux 2.6.14 or Higher	Support

3.2. Driver Installation

After install the device and reboot the PC/notebook, the “Windows Found New Hardware Wizard” will appear and detect the device. Please click “Cancel” to exit the Wizard, and

implement installation program to install the device driver and application.

- Please click on the driver and follow the instruction to start the installation.
- While the installation is completed, user may check the device driver is installed correctly by following steps
 - Start
 - Control Panel
 - System
 - Device Manager
 - And user can find device from the device manager dialog (see below figure, device number will different by channel numbers).



