

User Note

IPC-6006 6-Slot IPC Card Cage

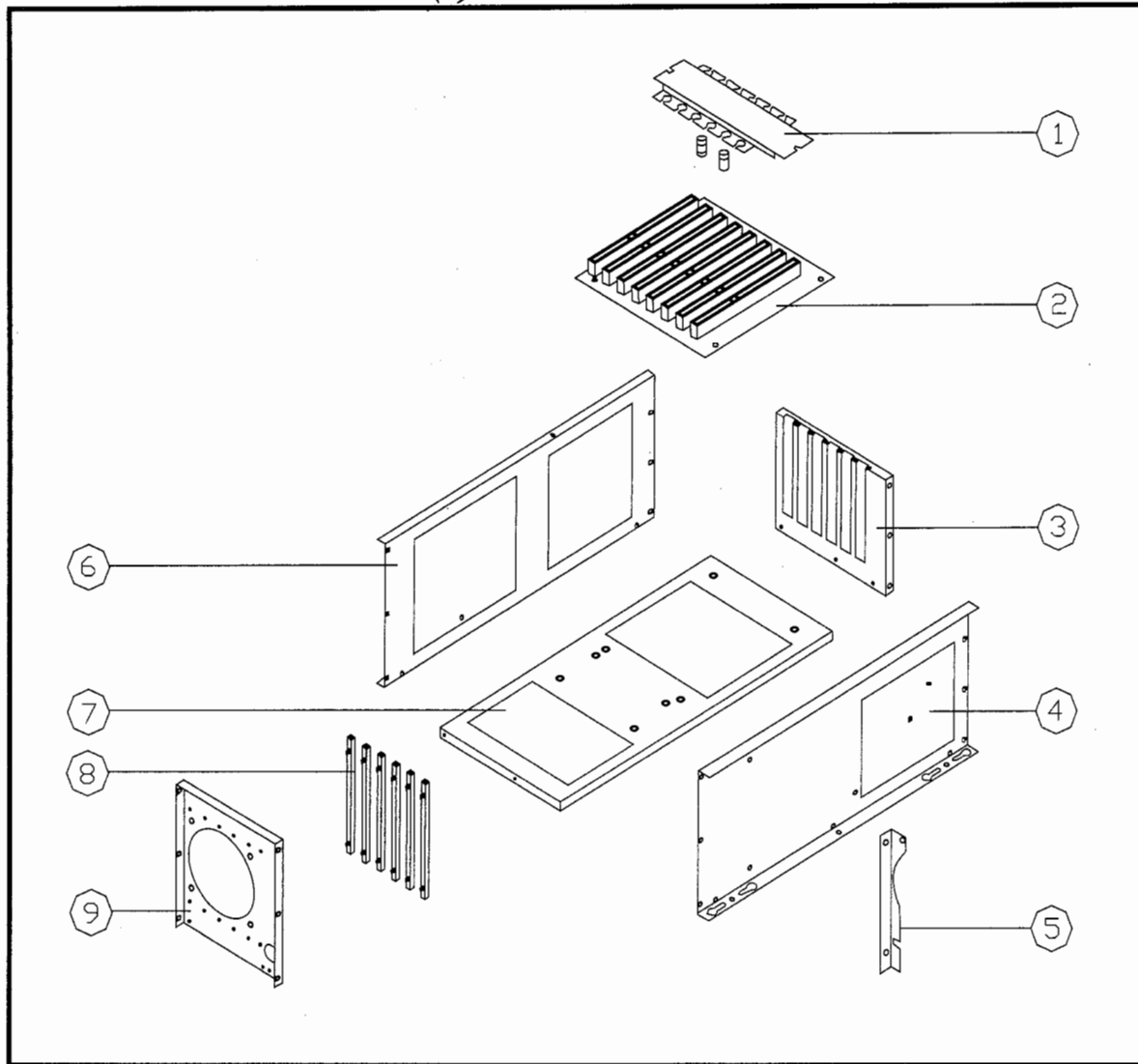
Introduction

The IPC-6006 is an open-style frame with a 6-slot PC bus passive backplane. It accommodates any PC/AT compatible plug-in card. IPC-6006 is especially suitable for OEM who wish to customize its appearance.

Acknowledgements

IPC-6006, IPC-6006S and IPC-6006P are trademark of Advantech Co., Ltd.

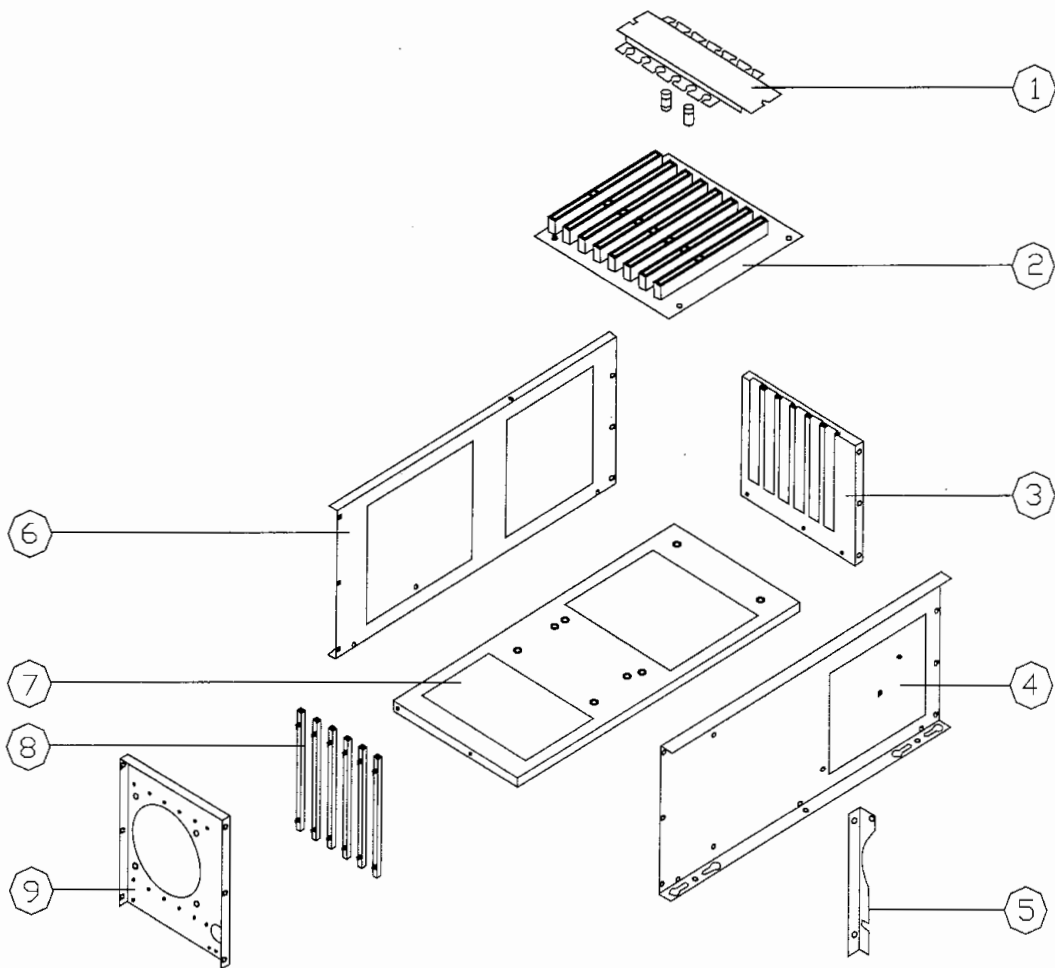
Assemble the IPC-6006 (I)



Part List (IPC-6006)

- | | | | |
|---|-----------------------------------|---|--------------------------------|
| 1 | Hold Down Clamp | 6 | Left side Bracket (6006/6006P) |
| 2 | Backplane PCA-6106 | 7 | Bottom Bracket (6006/6006P) |
| 3 | Rear Bracket | 8 | PCB Guide Rail |
| 4 | Right side Bracket (6006/6006P) | 9 | Front Bracket |
| 5 | Power Bracket (for PS/2 size PSU) | | |

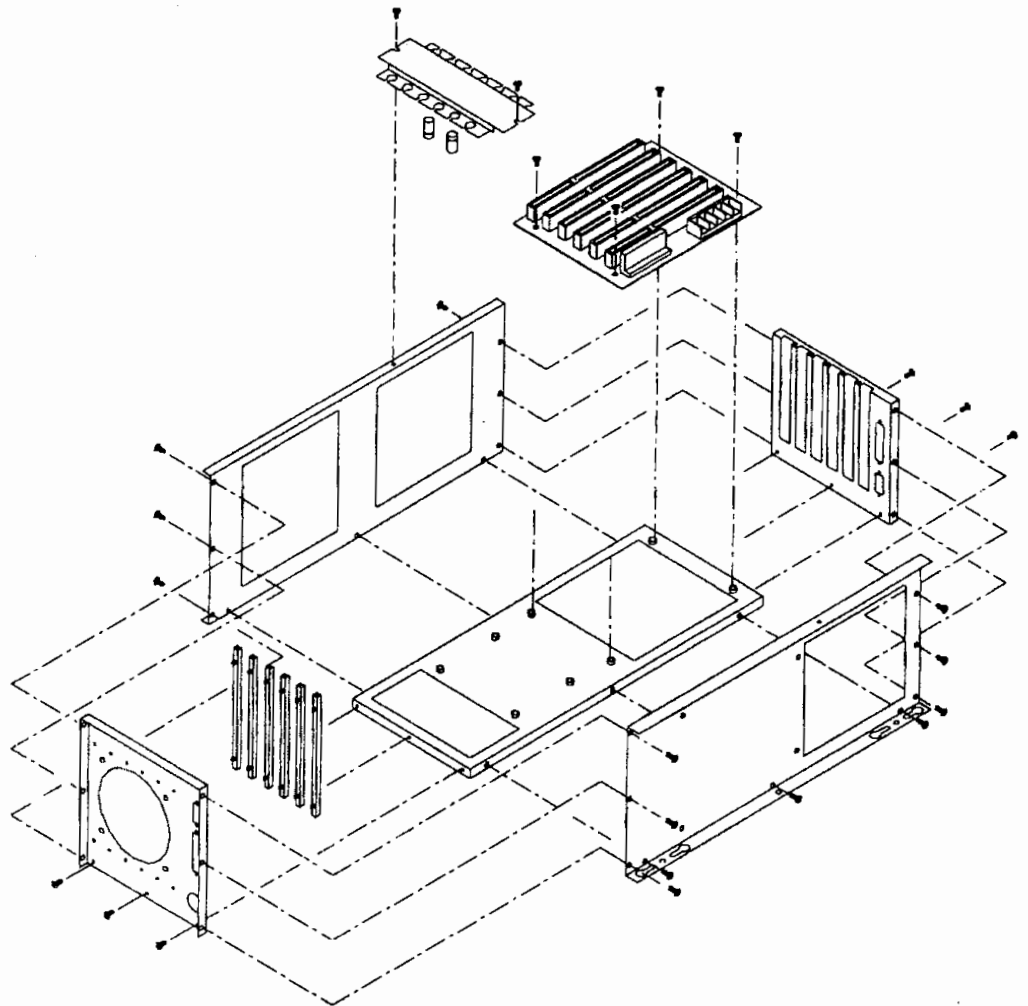
Assemble the IPC-6006 (I)



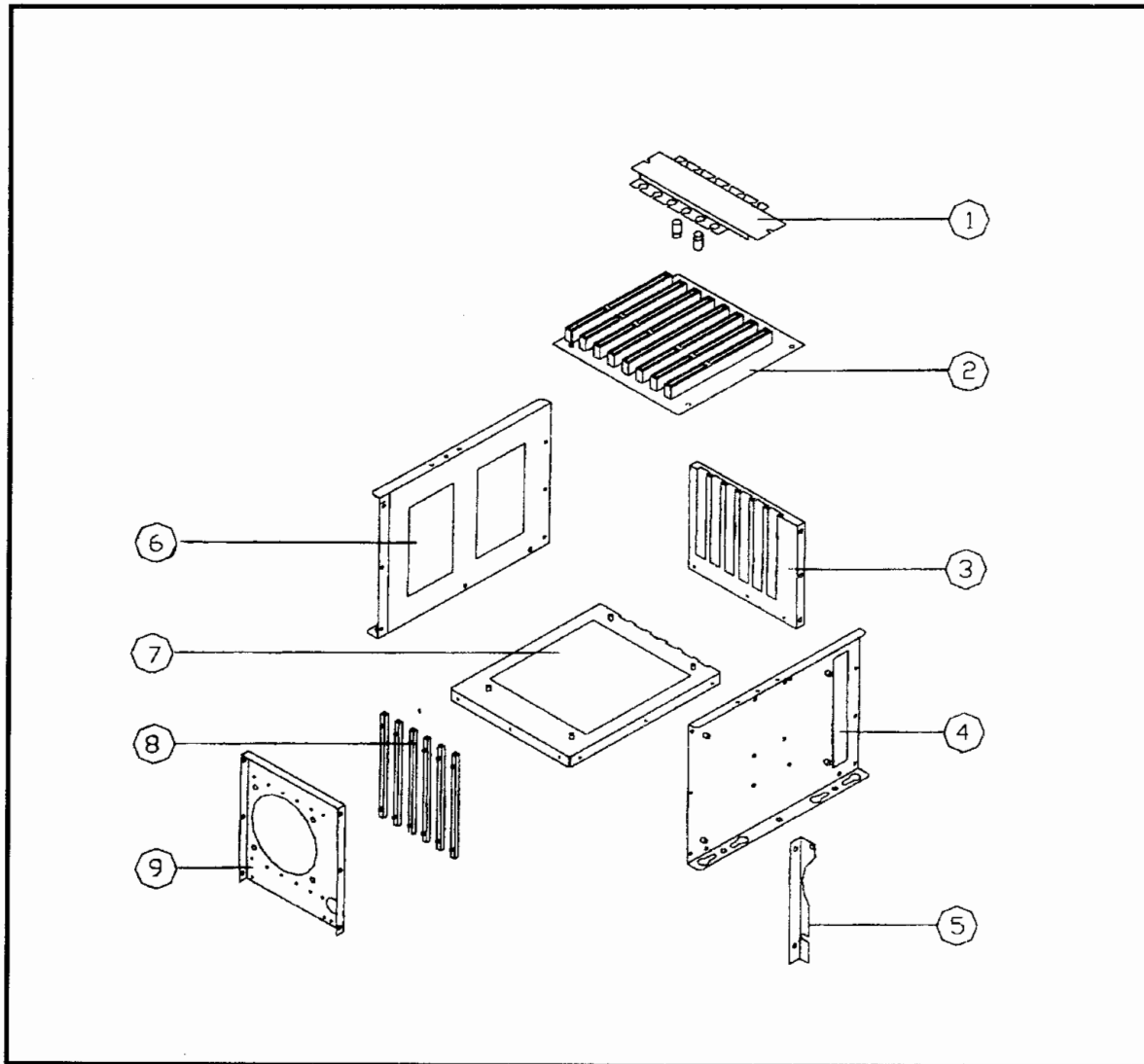
Part List (IPC-6006)

- | | | | |
|---|-----------------------------------|---|--------------------------------|
| 1 | Hold Down Clamp | 6 | Left side Bracket (6006/6006P) |
| 2 | Backplane PCA-6106 | 7 | Bottom Bracket (6006/6006P) |
| 3 | Rear Bracket | 8 | PCB Guide Rail |
| 4 | Right side Bracket (6006/6006P) | 9 | Front Bracket |
| 5 | Power Bracket (for PS/2 size PSU) | | |

Assemble the IPC-6006 (II)



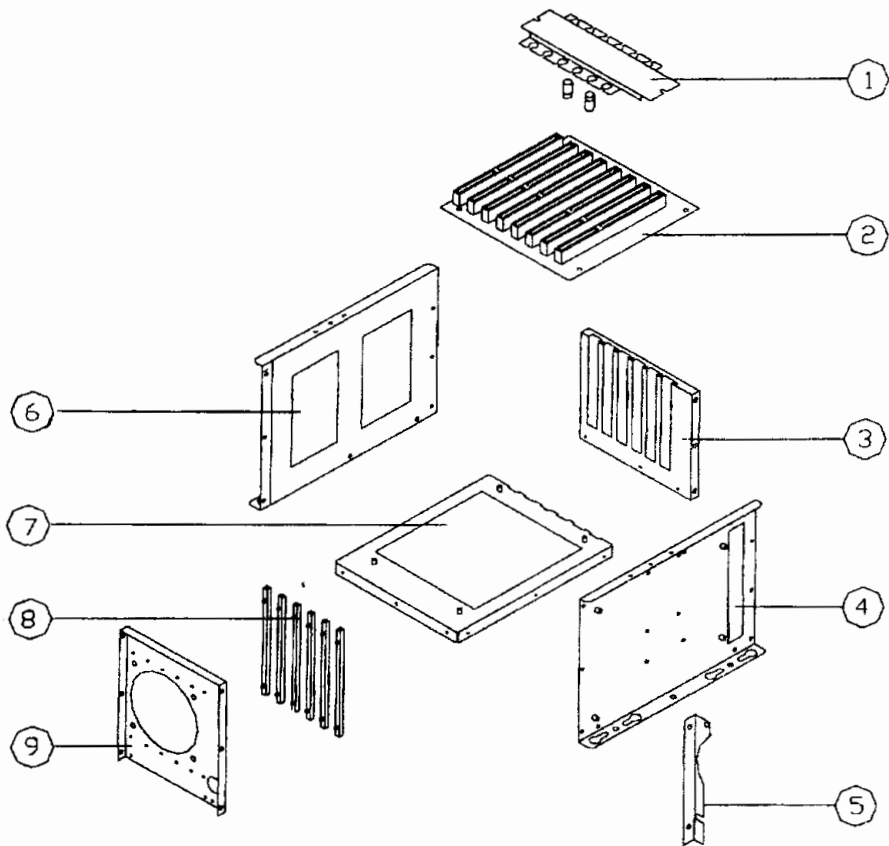
Assemble the IPC-6006S



Part List (IPC-6006S)

- | | | | |
|---|-----------------------------------|---|---------------------------|
| 1 | Hold Down Clamp | 6 | Left side Bracket (6006S) |
| 2 | Backplane PCA-6106 | 7 | Bottom Bracket (6006S) |
| 3 | Rear Bracket | 8 | PCB Guide Rail |
| 4 | Right side Bracket (6006S) | 9 | Front Bracket |
| 5 | Power Bracket (for PS/2 size PSU) | | |

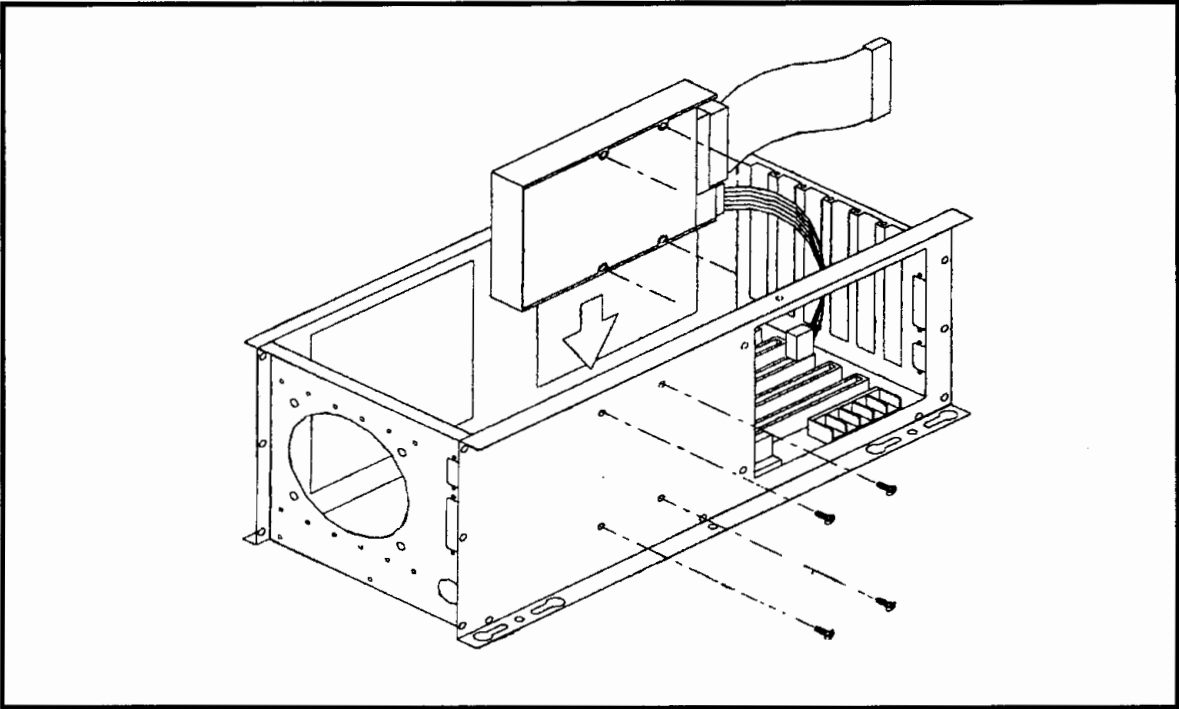
Assemble the IPC-6006S



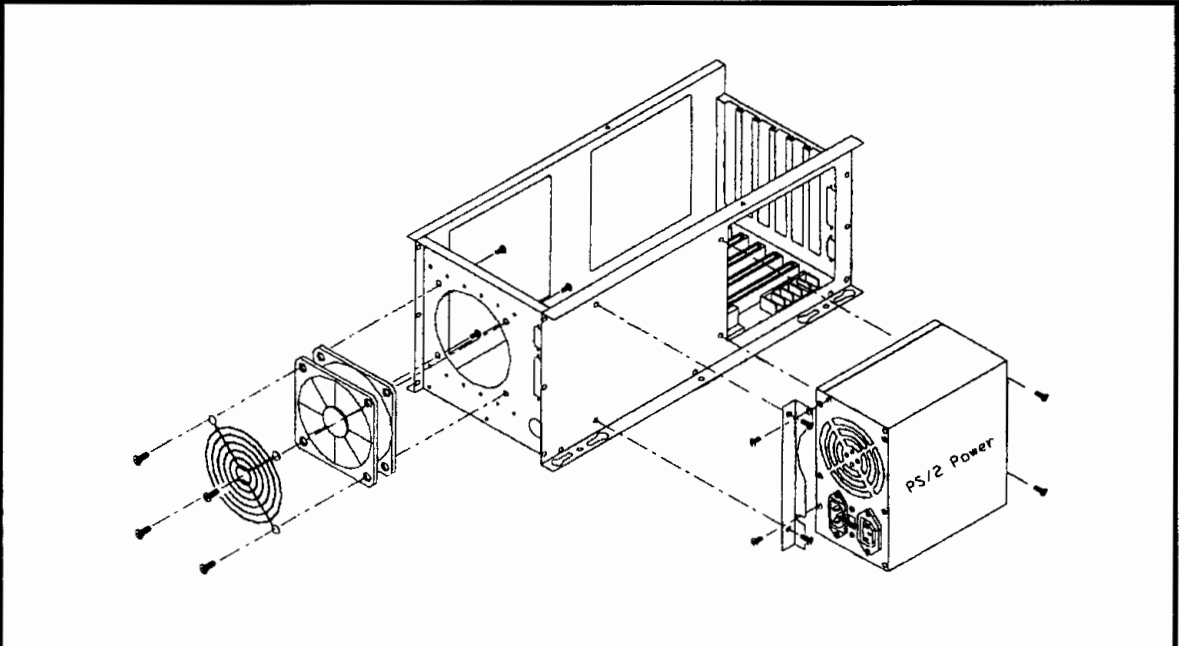
Part List (IPC-6006S)

- | | | | |
|---|-----------------------------------|---|---------------------------|
| 1 | Hold Down Clamp | 6 | Left side Bracket (6006S) |
| 2 | Backplane PCA-6106 | 7 | Bottom Bracket (6006S) |
| 3 | Rear Bracket | 8 | PCB Guide Rail |
| 4 | Right side Bracket (6006S) | 9 | Front Bracket |
| 5 | Power Bracket (for PS/2 size PSU) | | |

Install the 3.5" Harddisk to IPC-6006 (Optional)

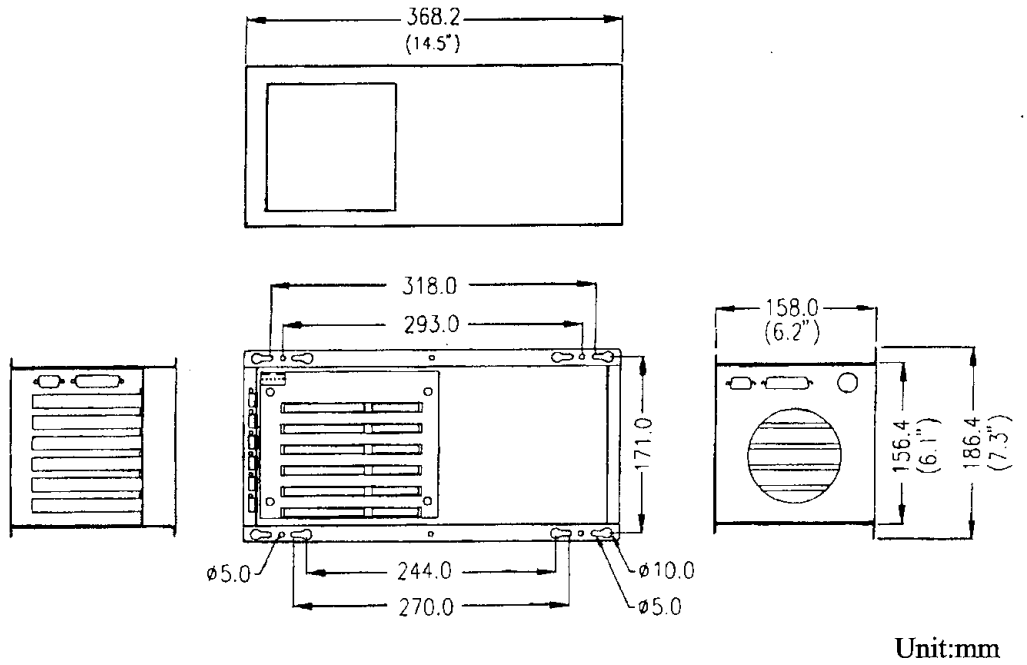


Install the PS/2 Power supply and one 9x9cm Cooling Fan to IPC-6006 (Optional)



Dimension

IPC-6006



IPC-6006S

