

MIC-75G20

GPU card Expansion i-Module for MIC-7 Series

Embedded System

Startup Manual

Packing List

Before you begin installing your i-Module, please make sure that the following items have been shipped:

- | | |
|----------------------------------|---------------------|
| 1. MIC-75G20 i-Module x1 | P/N: MIC-75G20-00A1 |
| 2. 4-pin phoenix connector x2 | P/N: 1652003234 |
| 3. SATA cable (30cm) x1 | P/N: 1700017838 |
| 4. SATA cable (40cm) x1 | P/N: 1700020978-01 |
| 5. HDD BP power cable x1 | P/N: 1700024985-01 |
| 6. GPU power cable | P/N: 1700023022-01 |
| (6 to 6/8 Pin) x2 | |
| 7. Mounting bracket (I-type) x1 | P/N: 1960070543T001 |
| 8. Mounting bracket (C-type) x1 | P/N: 1960070545N001 |
| 9. Screw for mounting bracket x4 | PN: 1930007259-01 |
| 10. MIC-75G20 Start-up manual x1 | P/N: 20415G2000 |

If any of these items are missing or damaged, please contact your distributor or sales representative immediately.

Note: Acrobat Reader is required to view any PDF file. Acrobat Reader can be downloaded at: get.adobe.com/reader (Acrobat is a trademark of Adobe)

Specifications

PCIe Slots

- One PCIe x16 socket
- One PCIe x4 socket

For more information on this and other Advantech products, please visit our website at:

<http://www.advantech.com>

<http://www.advantech.com/eplatform>

For technical support and service, please visit our support website at:



This manual is for the MIC-75G20 Rev. A1.

Part No. 20415G2000

1st Edition

Printed in China

December 2018

Specifications (Cont.)

Environment

- **Operating Temperature:**
0 ~ 40° C with 0.7 m/sec air flow: with Industrial SSD
- **Storage Temperature:** - 40 ~ 85° C (-40 ~ 185° F)
- **Relative Humidity:** 95% @ 40° C (non-condensing)

Mechanical

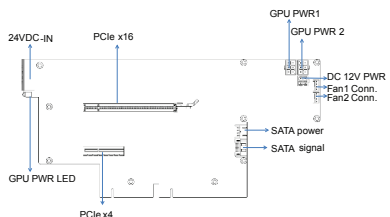
- **i-Module Dimensions:** i-Module Dimension (W x H x D): 110 x 192 x 350 mm
- **With MIC-7 series:** With MIC-7 series (W x H x D): 183 x 192 x 350 mm

Note: Width will be increased by 4mm with MIC-77xx.

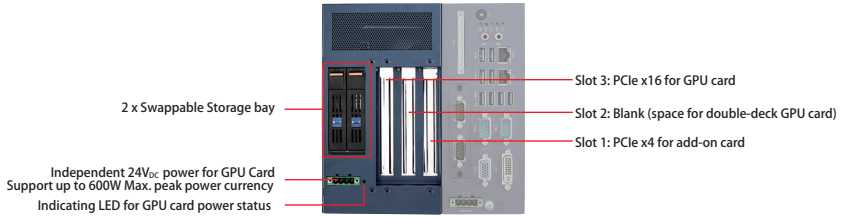
I/O Connectors

Connectors

No.	Item	Function
1	DCIN1	24VDC in
2	PPCIE2	PCIe x16 slot
3	PPCIE1	PCIe x4 slot
4	SATAPWR1	4-pin SATA power connector (5V)
5	SATA1	SATA signal connector
6	GPUPWR1	6-pin power connector for GPU card (12V, 17A)
7	GPUPWR2	6-pin power connector for GPU card (12V, 17A)
8	DC12VO-OUT1	4-pin power connector (12V, 5A)
9	SYSFAN1	4-pin fan connector
10	SYSFAN2	4-pin fan connector (reserved)
11	LED	GPU card power status



Front View

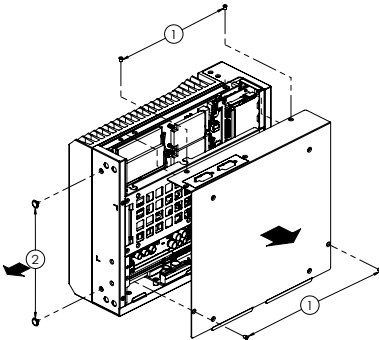


Simple Maintenance Process

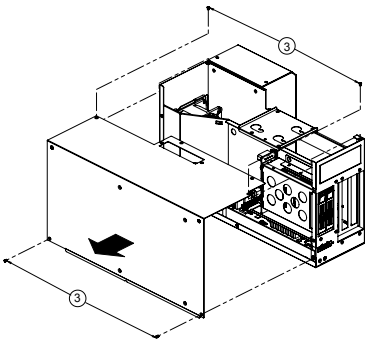
System Installation

MIC-75G20 can be assembled with all MIC-7 series IPC systems.

1. Undo MIC-7 series system screws and remove the bottom cover.
2. Remove 2 x dust covers (**IMPORTANT!**).

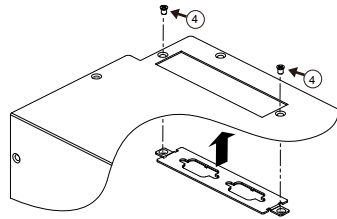


3. Undo the 4 x screws on MIC-75G20.

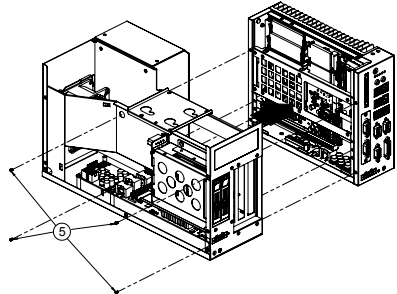


Simple Maintenance Process (Cont.)

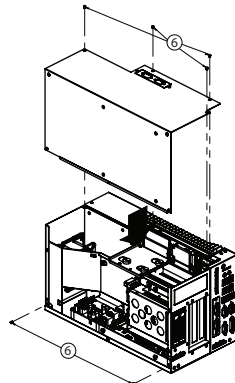
4. Remove i-door bottom cover and assemble and secure the cover into the i-Module's bottom cover.



5. Align MIC-75G20 and MIC-7 and secure 4 x screws.

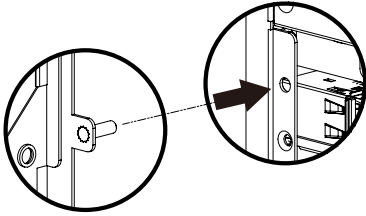


6. Assemble MIC-75G20 cover and secure with 6 x screws.



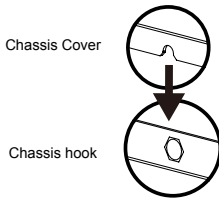
Simple Maintenance Process (Cont.)

Note: MIC-75G20 has 2 bolts which must be aligned with the holes on the device.



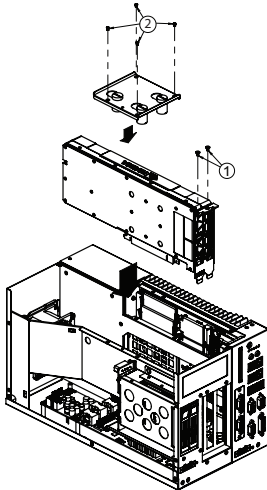
7. Reassemble the cover and secure with screws.

Note: The chassis cover has a special notch which must mate with the hook on the chassis.



GPU Card Bracket Assembly

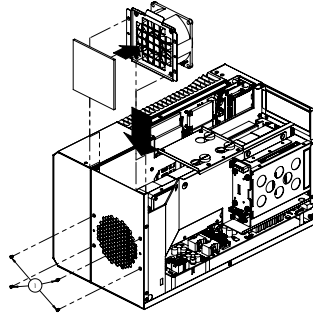
1. After GPU card has been installed, secure 2 x screw so on the GPU card brackets.
2. Secure the GPU card holder with 4 x screws.



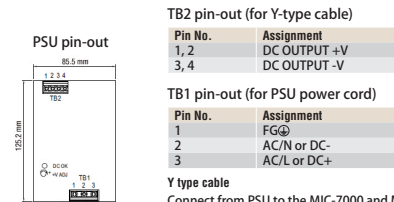
Fan filter Replacement

Recommend to replace fan filter at regular intervals to ensure the stability of system cooling.

1. Undo the system cover and remove the old fan filter.
2. Change the new fan filter and reassemble system cover with screws.

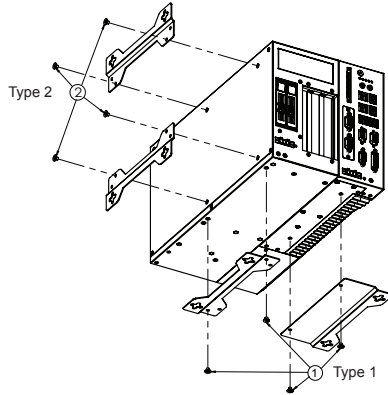


Power Supply Cabling Guide

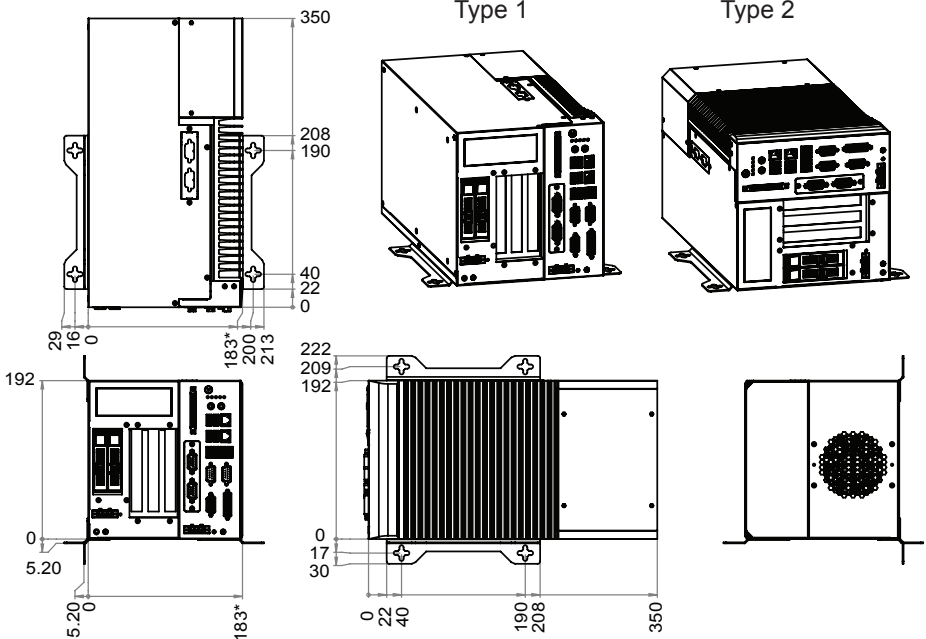


Mounting Bracket Assembly

1. Type 1: Secure 1 x mounting bracket (1960070543T001) and 1 x mounting bracket (1960070545N001) with 4 x screws (1930007259-01)
2. Type 2: Secure 2 x mounting brackets (1960070543T001) with 4 x screws (1930007259-01)
(There are 2x 1960070543T001 in the accessory box of MIC-7 series.)



System Dimensions



* Width is 187mm with MIC-77xx installed.