

## MIC-75M20-01

# Two-PCIe x8 Expansion Module for MIC-7 Series Startup Manual

### Packing List

Before you begin installing the expansion module, please make sure that the following items have been shipped:

- |                                   |                       |
|-----------------------------------|-----------------------|
| 1. MIC-75M20-01 Module x1         | P/N : MIC-75M20-01A1E |
| 2. MIC-75M20-01 Startup manual x1 | P/N : 20015M2010      |
| 3. Warranty Card                  | P/N: 2190000902       |
| 4. Card Clamp Pad x 4             | P/N:1990024989T000    |
| 5. Wall-Mount BKT (Left) x1       | P/N: 1960070545N001   |
| 6. Wall-Mount BKT (Right) x1      | P/N: 1960070543N001   |

If any of these items are missing or damaged, please contact your distributor or sales representative immediately.

**Note:** Acrobat Reader is required to view any PDF file. Acrobat Reader can be downloaded at: [get.adobe.com/reader](http://get.adobe.com/reader) (Acrobat is a trademark of Adobe)

### Specifications

#### PCIe Slots

- **Two PCIe x16 sockets**

**Note 1:** PCIe x16 sockets only support PCIe x8 signal.

**Note 2:** Total power consumption is 80W. If the power consumption is over 45W, please add fan module into i-module.

**Note 3:** MIC-75M20-01 does not support MIC-7300 series system.

#### Environment

- **Operating Temperature:**  
-20 ~ 60 °C with 0.7 m/sec air flow: with 1 x Industrial SSD without PC expansion boards  
0 ~ 45 °C with 0.7 m/sec air flow: with 1 x 2.5" HDD without PC expansion boards
- **Storage Temperature:** - 40 ~ 85 °C (-40 ~185 °F)
- **Relative Humidity:** 95% @ 40 °C (non-condensing)

#### Mechanical

- **Dimensions (H x W x D):** 192 x 50 x 230 mm

For more information on this and other Advantech products, please visit our website at:

<http://www.advantech.com>

<http://www.advantech.com/eplatform>

For technical support and service, please visit our support website at:

<http://support.advantech.com.tw/support/default.aspx>

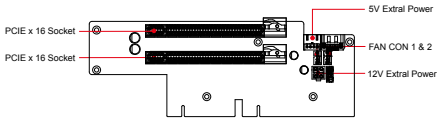
This manual is for the MIC-75M20 Series Rev. A1.

Part No. 20015M2010  
Printed in China

1st Edition  
July 2016

## Jumpers and Connectors

The table below lists the function of each connector.



### Connectors

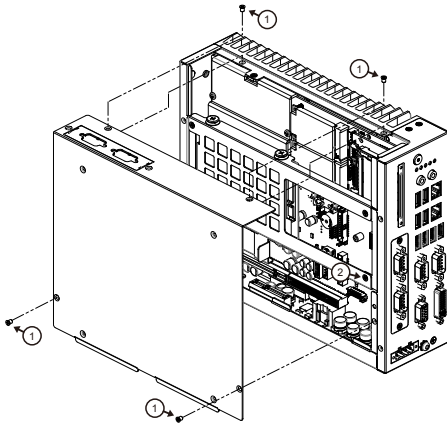
No.	Item	Function
1	SATAPWR1	4 Pin Power connector (5V)
2	PWR2	4 Pin Power connector (12V)
3	FAN 1	4 Pin FAN connector
4	FAN 2	4 Pin FAN connector
5	PCIEx8_1	PCIEx16 Socket
6	PCIEx8_2	PCIEx16 Socket

## Simple Maintenance Process

### System Installation

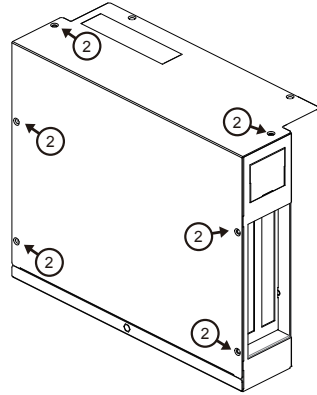
MIC-7 series i-module can be assembled with all MIC-7 series IPC systems.

1. Undo MIC-7 series system screws and remove the bottom cover.

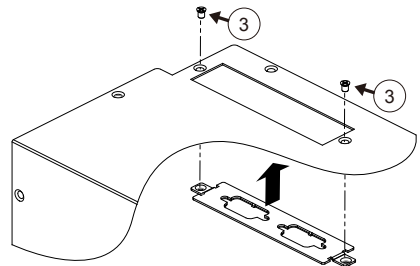


## Simple Maintenance Process (Cont.)

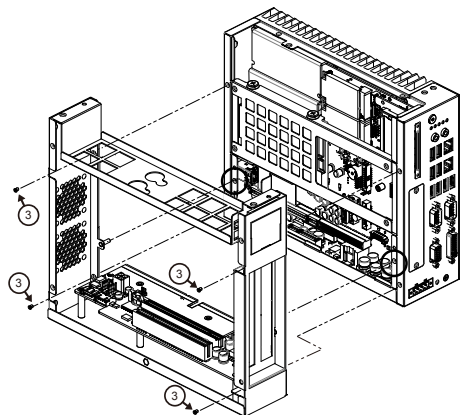
2. Undo 6 screws from MIC-75M20-01.



3. Remove i-door cover from MIC-7500 bottom cover and assemble and secure cover in i-module bottom cover.

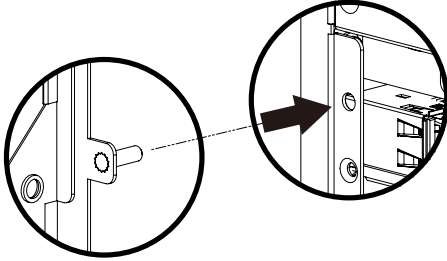


4. Assemble MIC-75M20-01 and MIC-7 series device and secure with 4 screws.



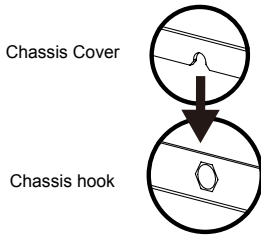
## Simple Maintenance Process (Cont.)

**Note:** MIC-75M20-01 has 2 studs which must be aligned with the holes on the device.



5. Replace the cover and secure with screws.

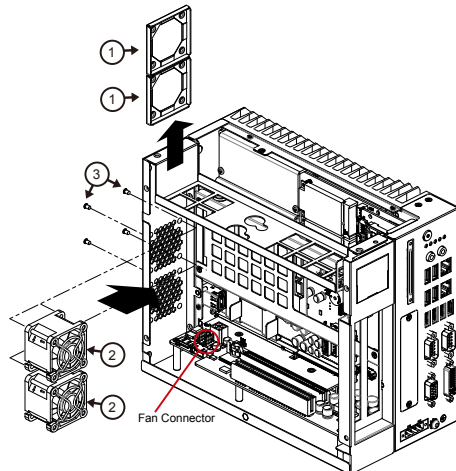
**Note:** The chassis cover has a notch that must mate with the hook on the chassis.



## FAN Installation (Optional)

MIC-75M20-01 supports two 4x4 cm fan spaces. If you want to install high performance cards, (e.g.: a graphics or a PoE card) or if total power consumption is over 45W, please do install a fan to prevent thermal issues. A fan is an optional module. If your system needs a fan module, please contact your distributor or sales representative.

Fan Module P/N: 98R1752000E.



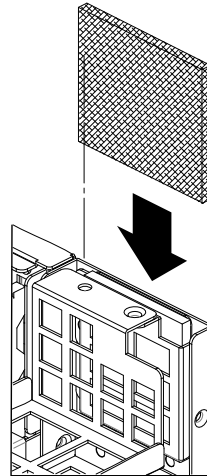
## Simple Maintenance Process (Cont.)

1. Undo fan 1 & 2 covers.
2. Secure fan protection nets with 4 screws.
3. Assemble and secure the fan in the chassis with 4 screws.
4. Plug the fan power cable into the connector on the backplane board.

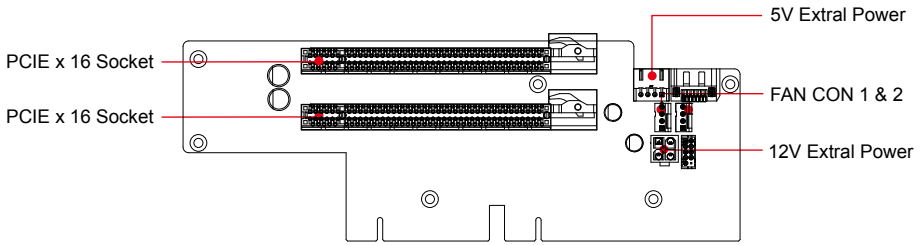
## FAN Filter Installation

If your system has a fan installed, we recommend you replace the system fan filter at regular intervals to ensure system cooling stability.

1. Undo the system cover and remove the old fan filter.
2. Install new fan filter and replace system cover; secure with screws.



# IO Connectors



# System Dimensions

unit: mm

