

PCM-9375 A3 3.5" SBC w/AMD LX800, VGA, LCD, LAN, USB 2.0, and SSD

Startup Manual

Packing List

Before you begin installing your card, please make sure that the following materials have been shipped:

- 1 PCM-9375 A3 SBC
- 1 Startup Manual
- 1 Utility CD
- 1 Mini Jumper Pack p/n: 9689000002
- 1 Audio Cable p/n: 1700160160
- 1 IDE 44 Pin p/n: 1701440351
- 1 USB 2 Port Cable p/n: 1703100121
- 1 Parallel Port Cable p/n: 1700001977
- 1 Keyboard/Mouse Cable p/n: 1700060202
- 1 x COM2/3/4 Cable p/n: 1700001971
- 1 x LAN Cable p/n: 1701100202

If any of these items are missing or damaged, please contact your distributor or sales representative immediately

Note 1: For detailed contents of the PCM-9375 A3, please refer to the enclosed CD Disc or disk (in PDF format)

Note 2: Acrobat Reader is required to view any PDF file Acrobat Reader can be downloaded at:

<http://www.adobe.com/products/acrobat/read-step2.html> (Acrobat is a trademark of Adobe.)

For more information on this and other Advantech products, please visit our website at:

<http://www.advantech.com>

For technical support and service, please visit our support website at:

<http://support.advantech.com>

This manual is for the PCM-9375 Rev. A3

Part No. 2006937502
Printed in China

1st Edition
June 2019

Specifications

Standard SBC Functions

- **CPU:** AMD Geode® LX800 processor, up to 500 MHz
- **System Memory:** 1x SODIMM socket, supports Double Data Rate (DDR) SDRAM, Max, 512 MB, accepts 128/256/512 MB, DDR333 SDRAM
- **2nd Cache Memory:** 128 KB on the processor
- **System Chipset:** AMD Geode LX800
- **BIOS:** Award 8Mbit Flash BIOS
- **Watchdog Timer:** 255 levels timer interval
- **Expansion Interface:** PC/104
- **Battery:** Lithium 3 V / 196 mAh
- **Power Management:** APM1.2, ACPI supported
- **Enhanced IDE Interface:** One channel supports up to two EIDE devices. BIOS auto-detect, PIO Mode 3 or Mode 4, supports UDMA 33 mode
- **Serial Ports:** Four serial RS-232 ports (CN19: COM1) in one DB-9 connector and one Hirose 40 pin connector (CN16: COM2/3/4). RS-422 and RS-485 can be configured via CN18 connector and Jumper J3
- **Parallel Port:** One parallel port, supports SPP/EPPmode
- **Keyboard/Mouse Connector:** Supports one standard PC/AT keyboard and a PS/2 mouse
- **Audio:** Supports AC97 Audio stereo sound
- **USB:** Four USB 2.0 compliant universal serial bus ports
- **GPIO:** 8-bit general purpose input/output

Solid State Disk

- Supports one 50-pin socket for CFC type I (type II optional)

VGA/LVDS Interface

- **Memory Size:** Optimized Shared Memory Architecture, supports up to 64MB frame buffer using system memory
- **Resolution:**
CRT resolution: up to 1600 x 1200 x 16 bpp at 100 Hz and up to 1024 x 768 x 32 bpp at 60 Hz for TFT LCD
LCD Interface: Supports up to 24-bit TFT LCD (TTLsignal)
LVDS Interface: Supports one channel 24-bit LVDS Interface (JEIDA mod)
- **Dual Simultaneous Display:** CRT+LCD, CRT+LVDS

Ethernet Interface

- **Chipset Support:** 2 x 10/100Mbps - Realtek RTL8139
- **Ethernet Interface:** IEEE 802.3 z/ab (100BASE-T) or IEEE 802.3u (100 BASE-T) protocol compatible
- **Built-in Boot ROM (Realtek RTL8139)**
- **Connector:** One RJ-45 connector, and one internal box header

Specifications (Cont.)

Audio Function

- **Audio Controller:** Realtek ACL605 chipset, supports AC97 3D Audio stereo sound
- **Audio Interface:** Microphone in, Line in, Line out, Speaker out

Mechanical and Environmental

- **Dimensions:** 145 x 102 mm (5.9"x 4.2")
Mechanical Drawing (dxf file) is available
- **Power Supply Type:** AT/ATX
- **Power Requirement:** +5 V \pm 5%, +12 V \pm 5% (Optional), 5 V standby for ATX mode or single +5 V power only
- **Power Consumption:** (Geode LX800, 256 MB DDR333)
Max: +5 V@ 1.2 A, +12 V@ 0.23 A
Typical: +5 V@ 0.6 A, +12 V@ 0.03 A
- **Operating Temperature:** 0 ~ 60°C (32 ~ 140°F)
- **Weight:** 0.85 kg (reference weight of total package)

Jumpers and Connectors

The board has a number of jumpers that allow you to configure your system to suit your application

The table below lists the function of each of the jumpers and connectors

| Jumpers | |
|---------|--------------|
| Label | Function |
| J2 | Clear CMOS |
| J3 | COM2 Setting |
| J4 | Audio Power |

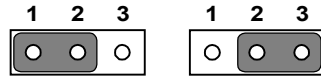
| Connectors | |
|------------|----------------------|
| Label | Function |
| CN1 | Stand-by Power Input |
| CN2 | Power Input |
| CN3 | Reset Button |
| CN4 | TFT LCD |
| CN5 | Inverter Power |
| CN6 | SMBus |
| CN7 | DDR-SODIMM |
| CN8 | ATX Power Button |
| CN9 | GPIO |
| CN10 | CF |
| CN11 | IDE |
| CN12 | CRT |
| CN13 | USB1/2 |
| CN14 | Keyboard/Mouse |

Jumpers and Connectors (Cont.)

| | |
|------|------------------------|
| CN15 | USB3/4 |
| CN16 | COM2/3/4 |
| CN17 | Print Port |
| CN18 | RS-422/485 |
| CN19 | COM1 |
| CN20 | PC/104 |
| CN21 | ISA -5 V & -12 V Input |
| CN22 | Audio |
| CN23 | LAN1 |
| CN24 | LAN2 |

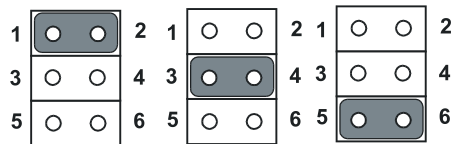
J2: Clear CMOS

| Pin | Signal |
|-----|------------|
| 1-2 | BAT |
| 2-3 | Clear CMOS |



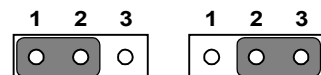
J3: COM2 Setting

| Pin | Signal |
|-----|--------|
| 1-2 | RS-232 |
| 3-4 | RS-485 |
| 5-6 | RS-422 |

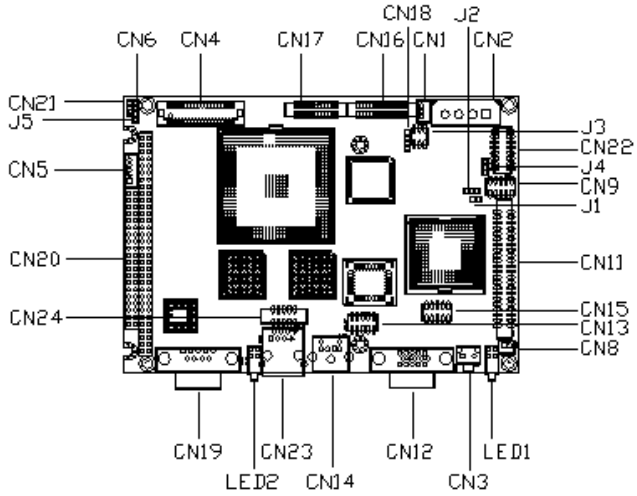


J4: Audio Power

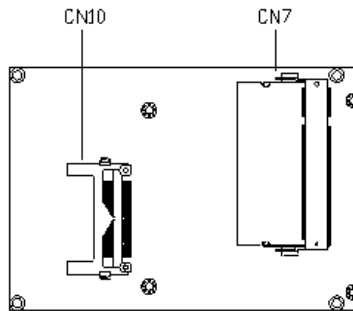
| Pin | Signal |
|-----|--------------|
| 1-2 | With+12 V |
| 2-3 | Without+12 V |



PCM-9375 A3 Mechanical Drawing

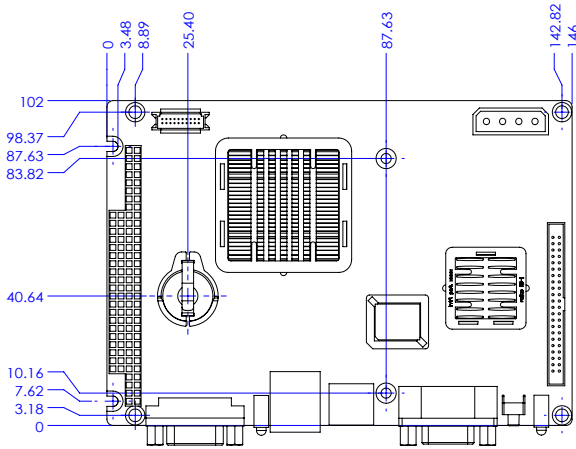


PCM-9375 A3 Location Connectors & Jumpers (Component Side)

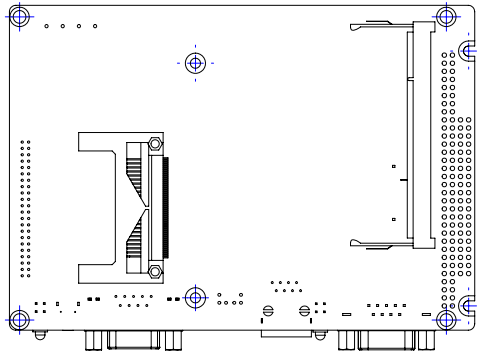


PCM-9375 A3 Location Connectors (Solder Side)

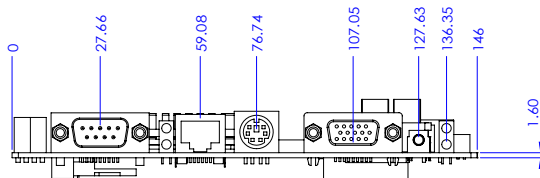
PCM-9375 A3 Mechanical Drawing



Dimensions of PCM-9375 A3 (Top Side)



Dimensions of PCM-9375 A3 (Bottom Side)



Dimensions of PCM-9375 A3 (For H)