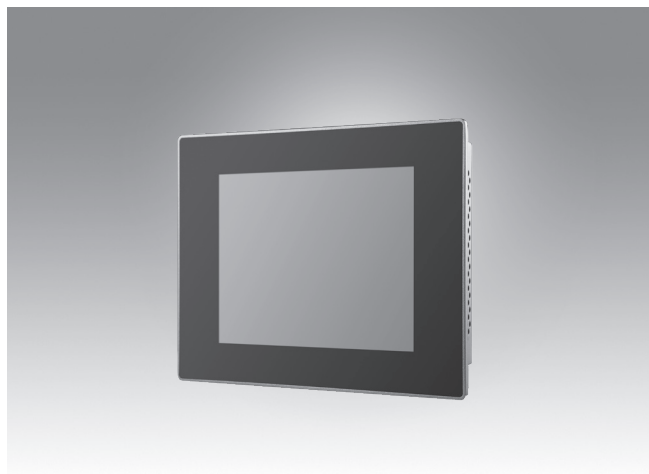


PPC-3060S

6.5" Fanless Panel PC with Intel® Celeron® N2807 Processor



Features

- Industrial-grade 6.5" VGA TFT LCD with LED backlight
- Durable true-flat touchscreen with 5-wire resistive touch control
- Intel® Celeron® N2807 dual-core, 1.58 GHz, processor
- Up to 4 GB DDR3L SDRAM
- Compact, fanless design with IP65-rated front panel
- Supports expansion via full-size mini PCIe
- Supports Windows Embedded and Android OS
- Supports VESA 75 x 75 mounting holes



Introduction

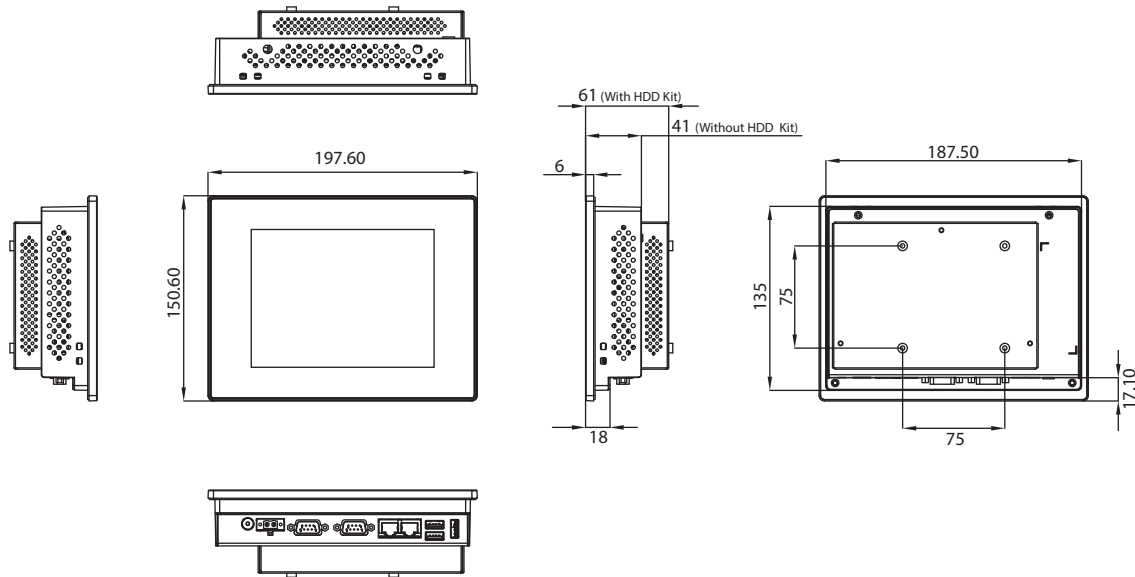
The PPC-3060S is a high-value, ultra-slim panel PC equipped with a 6.5" VGA TFT LCD, and low-power Intel® Celeron® N2807, 1.58 GHz, processor to provide high-performance computing in a compact and fanless system. For high durability and functionality, the PPC-3060S features an IP65-rated front panel, true-flat 5-wire resistive touchscreen, two serial ports, three USB ports, and two GbE LAN ports, making it suitable for diverse industrial applications.

Specifications

System	CPU	Intel® Celeron® N2807 dual core
	Frequency	1.58 GHz
	L2 Cache	1 MB
	Memory	1 x SODIMM DDR3L 1333 MHz (max. 4 GB)
	Storage	1 x 2.5" SATA bay (optional; requires a bracket module for installation) 1 x mSATA Bay (default)
	Network (LAN)	2 x 10/100/1000 Mbps Ethernet (Intel 211)
	I/O	2 x Serial ports: 1 x RS-232, 1x RS-232/422/485 (Adjustable through BIOS) 2 x USB 2.0, 1 x USB 3.0
	Expansion	1 x Full-size mini PCIe slot
Physical Characteristics	Watchdog Timer	255 timer levels, set up by software
	Dimensions	197.6 x 150.6 x 41 mm (7.8 x 5.9 x 1.6 in)
OS Support	Weight	1.5 kg (3.30 lb)
	OS Support	Microsoft® Windows 7(32/64-bit)/10(64-bit), WES7P, WEC7, Windows 10 IOT LTSC, Linux, Android 6.0
Power Consumption	Input Voltage	12 ~ 24 V _{DC}
	Power Consumption	11 W (Burn-in test 7.0 in Windows 7, 32-bit)
LCD	Display Type	6.5" TFT LCD (LED backlight)
	Resolution	640 x 480
	Viewing Angle	80 (left), 80 (right), 70 (up), 70 (down)
	Luminance (cd/m ²)	800
	Contrast Ratio	600
	Backlight Lifetime	50,000 hr (typical)
Touchscreen	Touch Type	ELO 5-wire resistive touch
	Light Transmission	80±5% at 550 nm wavelength
	Controller	RS232 interface
	Durability (Touches)	Greater than 35 million touches in one location without failure
Environment	Operating Temperature	0 ~ 50 °C (32 ~ 122 °F) with SSD 0 ~ 40 °C (32 ~ 104 °F) with HDD
	Storage Temperature	-30 ~ 60 °C (-22 ~ 140 °F)
	Relative Humidity	10 ~ 95% @ 40 °C (non-condensing)
	Shock	Operating 10 G peak acceleration (11 ms duration), follow IEC 60068-2-27
	Vibration	Operating Random Vibration Test 5 ~ 500Hz, 1Grms @with HDD; 2Grms @with SSD, follow IEC 60068-2-64
	EMC	CE, FCC Class B, BSMI
	Safety	CB, CCC, BSMI, UL
Front Panel Protection	IP65 compliant	

Dimensions

Unit: mm

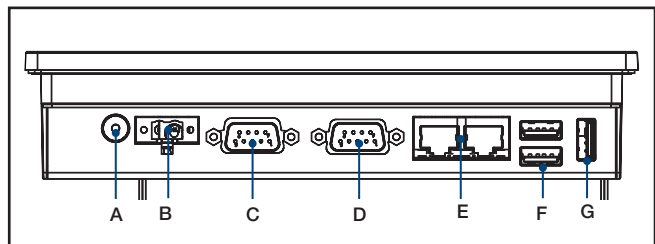


Panel Cutout Dimensions: 189 x 136.5 mm (7.44 x 5.37 in)

Ordering Information

Part Number	Description
PPC-3060S-N80AE	Intel Celeron N2807 Fanless Panel PC with 6.5" LCD LED backlight
PPC-3060S-N80AU	Intel Celeron N2807 Fanless Panel PC with 6.5" LCD LED backlight , for U.S. only
98R3P30600E	Bracket module for 2.5" SSD/HDD installation
PPC-WLAN-C1E	M.2 Wi-Fi Module with Antenna cable support 2T2R
PPC-ARM-A03	ARM VESA Standard (A-CLEVER) for PPC series
PPC-174T-WL-MTE	Wall mount kit for PPC series
PPC-Stand-A1E	Stand for PPC series
96PSA-A90W190T-3	A/D 100-240V 90W 19V C6 TERMINAL 2 PIN 62368
1700001524	Power cord 3P UL 10A 125V 1.8M
170203183C	Power cord 3P Europe (WS-010+083) 183cm
1700008921	Power cord 3P/3P 1.8M PSE
96CB-POWER-B-1.8MB	Power code 3P CCC(China) 1.8M

I/O View



- A. Power Switch
- B. DC-In
- C. RS-232
- D. RS-232/422/485
- E. 2 x RJ45 LAN
- F. 1 x USB 2.0, 1 x USB 3.0
- G. USB 2.0