

AMK Rack LCD Console User Reference Manual



Introduction

Thank you for purchasing **AMK** LCD console drawer. **AMK** LCD console drawer can save your MONEY, TIME, SPACE, EQUIPMENT and POWER.

PCs or Servers can be controlled from One Keyboard, Mouse and LCD Monitor. **AMK** LCD console drawer is loaded with features such as 19" Rack Mount Size, Daisy Chain up to eight units, On Screen Display Menu, Password security, Searching PC server name, Hot key Control, Front Panel Push Button and Auto Scan Control. It has complete keyboard and mouse emulation for simultaneous PCs boot-up process.

Features

- Meets EIA310c & IEC-3 specifications
- 1U, built-in 17" or 19" LCD Monitor, 1/8/16 port Combo (PS2 & USB) KVM switch in 19" rack mount cabinet.
- Single Rail or Dual Rails
- Built-in rail self-locking device
- Support DOS, Win3.X, Win95/98/98SE/2000/ME/XP, WinNT, Netware, SCO Unix, HP Unix, Linux
- Hot Plug - Add PCs or Remove Connected PCs for Maintenance no need to power down the KVM switch or PCs.
- No Software Required - easy PC selection via On Screen Display Manual, Push Buttons and Hot Keys
- Combo KVM support two layers password security protection.
- Auto Scan Mode for monitoring PCs and flexible Scan time from 5~99 seconds
- Keyboard status restored when switching PCs
- LED Display for easy status monitoring
- Buzzer sound for switching port confirmation.
- Using Standard VGA, Keyboard and Mouse cable.
- Built-in one extra daisy chain port and no waste any PC port

Package Contents

Model No.: AMK501/ AMK701/ AMK801

Package Content	QTY
AMK 1 port	1
User's manual	1
Power Cord	1
Bracket	2
KVM Cable	1
Foam with Box	1
Screw Pack	1

Model No.: AMK508/ AMK708/ AMK808

Package Content	QTY
AMK 8 port KVM Switch	1
User's manual	1
Power Cord	1
Bracket	2
KVM Cable	8
Foam with Box	1
Screw Pack	1

Model No.: AMK516/ AMK716/ AMK816

Package Content	QTY
AMK 16 port KVM Switch	1
User's manual	1
Power Cord	1
Bracket	2
KVM Cable	16
Foam with Box	1
Screw Pack	1

Note: AMK models with DC power supply do not include power cord.

Technical Specifications (Single Rail)

1U, Single rail, Rack LCD Console Drawer Specification for AMK 801/808/816

Model No.	AMK801	AMK808	AMK816
PC Port	1	8	16
Drawer Design	1U, Single Slide Rail self-locking device for 19" rackmount		
LCD Display	17" or 19", 1280x 1024 resolution with tempered glass		
Keyboard/ Mouse	Industrial keyboard with touchpad Operating life of keys: 8 million cycles		
Construction	Heavy-duty Steel		
Power supply	Built-in 60W, 90~264VAC Auto Switch, Operating Temp.: -20~70°C		
Physical Security	Key locking Mechanism		
Protection	Tempered glass protect LCD screen		
Power Consumption	3 watts stand-by, 25 watts in-use		
Operation Temperature	0~50°C (32 ~ 122°F)		
Storage Temperature	-20 ~ 60°C (-4 ~ 140°F)		
Humidity	0~90%, Non-Condensing		
Weight (kg)	12 kg	13 kg	13 kg
Dimension (cm)	442 X 44 X 480mm	442 X 44 X 590mm	442 X 44 X 590mm
Compliance	CE, FCC Class A, RoHS		

1U, Single rail, Rack LCD Console Drawer Specification for AMK 501/508/516

Model No.	AMK501	AMK508	AMK516
PC Port	1	8	16
Drawer Design	1U, Single Slide Rail self-locking device for 19" rackmount		
LCD Display	17.3", 1920x 1080 resolution with tempered glass		
Keyboard/ Mouse	Industrial keyboard with touchpad		
Construction	Heavy-duty Steel		
Power supply	Built-in 60W, 90~264VAC Auto Switch, Operating Temp.: -20~70°C		
Physical Security	2 thumb screws to secure LCD monitor		
Protection	Tempered glass protect LCD screen		
Power Consumption	3 watts stand-by, 25 watts in-use		
Operation Temperature	0~50°C (32 ~ 122°F)		
Storage Temperature	-20 ~ 60°C (-4 ~ 140°F)		
Humidity	0~90%, Non-Condensing		
Weight (kg)	10 kg	11 kg	11 kg
Dimension (cm)	442.4 X 44 X 411mm	442.4 X 44 X 521mm	442.4 X 44 X 521mm
Compliance	CE, FCC Class A, RoHS		



AMK5 series: 2 thumb screws to secure LCD monitor

Technical Specifications (Dual-Rail)

1U, Dual-Rail, Rack LCD Console Drawer Specification for AMK 701/708/716

Model No.	AMK701	AMK708	AMK716
PC Port	1	8	16
Drawer Design	1U, Dual Slide Rail self-locking device for 19" rackmount		
LCD Display	17" or 19", 1280x 1024 resolution with tempered glass		
Keyboard/ Mouse	Industrial keyboard with touchpad Operating life of keys: 8 million cycles		
Construction	Heavy-duty Steel		
Power supply	Built-in 60W, 90~264VAC Auto Switch, Operating Temp.: -20~70°C		
Physical Security	Key locking Mechanism		
Protection	Tempered glass protect LCD screen		
Power Consumption	3 watts stand-by, 25 watts in-use		
Operation Temperature	0~50°C (32 ~ 122°F)		
Storage Temperature	-20 ~ 60°C (-4 ~ 140°F)		
Humidity	0~90%, Non-Condensing		
Weight (kg)	12 kg	13 kg	13 kg
Dimension (cm)	442 X 44 X 480mm	442 X 44 X 590mm	442 X 44 X 590mm
Compliance	CE, FCC Class A, RoHS		

KVM switch		8-port	16-port
		COMBO KVM	COMBO KVM
Port Connection	KVM Port	8-Port	16-port
	Max. Port	Daisy Chain up to 8 levels to support 120 servers	Daisy Chain up to 8 levels to support 128 servers
Port Selection		8x Front Push Buttons, OSD Manu, Hotkey	16x Front Push Buttons, OSD Manu, Hotkey
Connectors	KVM Port	8x DB-15	16x DB-15
	Console Port	1x DB-15, 2x USB	1x DB-15, 2x USB
	Daisy Chain	1x DB-15	1x DB-15
	Power	1x 3-prong AC Socket	
Switch	Port Selection	8x Front Push Buttons	16x Front Push Buttons
	Reset	1x push button	
	Power	1x Rocker Switch	
	LCD on/off	1x Front standby Push button	
	LCD control	4x LCD Adjust push button	
LED	Operation	8	16
	Power	8	16
	Keyboard Lock	1x Num Lock, 1x Caps Lock, 1x Scroll Lock	
KVM Cable		8x 1.8m USB cable	16x 1.8m USB cable

Option:

80W, 24~48 VDC power supply

Touch screen: AMK501/ AMK701/ AMK801

DVI interface: AMK501/ AMK701/ AMK801

Cable Diagrams

USB KVM cable: VGA D-sub 15 pin to VGA D-sub 15 pin and USB connector
1.8m USB cable, P/N: 68103-03001-01
3.0m USB cable, P/N: 68103-03002-01
5.0m USB cable, P/N: 68103-03004-00



PS2 KVM cable: VGA D-sub 15 pin to VGA D-sub 15 pin and PS2 KB/MS connector
1.8m PS2 cable, P/N: 68103-01001-00
3.0m PS2 cable, P/N: 68103-01002-00
5.0m PS2 cable, P/N: 68103-01003-00



Rear Panel of AMK801/ AMK701/ AMK501:



Rear Panel of AMK808/ AMK708/ AMK508:

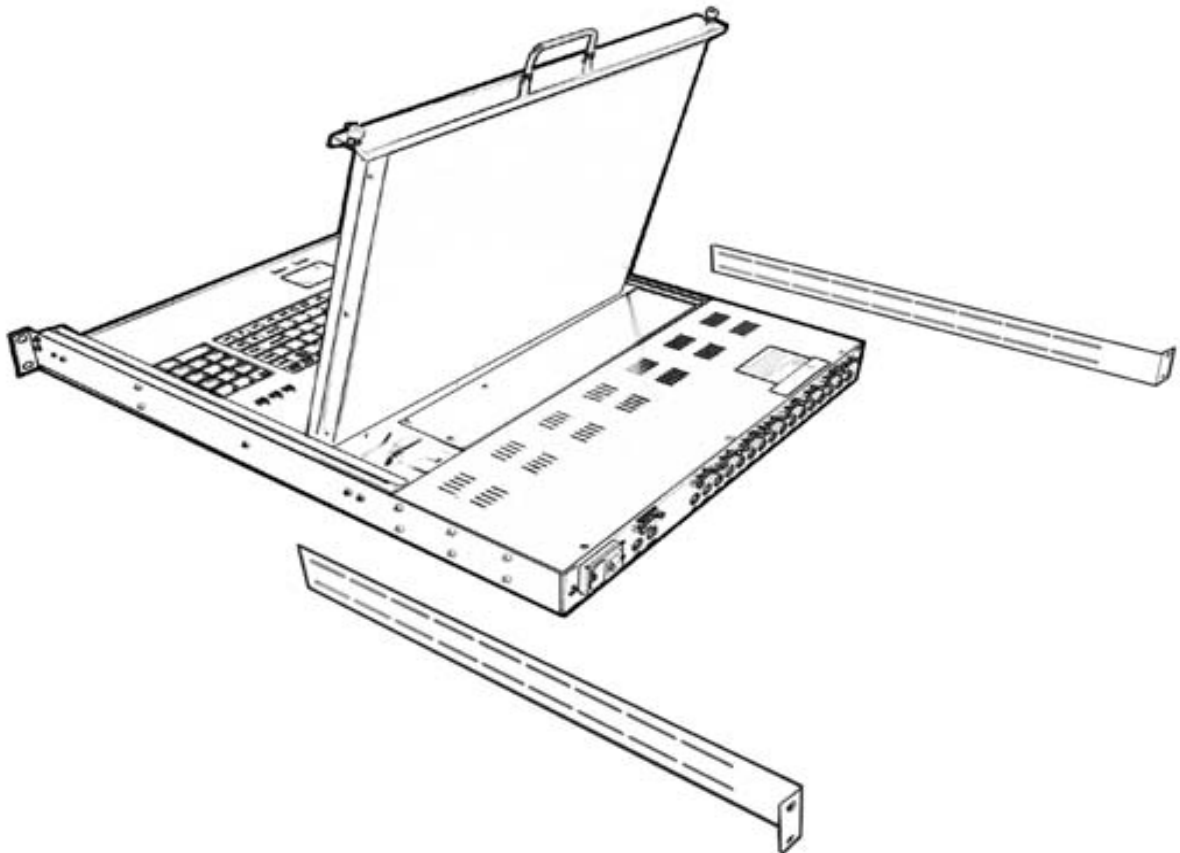


Rear Panel of AMK816/ AMK716/ AMK516:



Rackmount Installation

1. Find the property position to screw these two extension brackets with the ears and both side onto the server rackmount first.
2. Lift & push the AMK inside the rackmount, and screw between bracket and AMK with 4 screws.
3. Mount the front ears of AMK main body onto the server rackmount.



Installation/Operation

Before installation, please make sure all of peripherals and computers have been turned off. This example of installation is based on AMK808 and you also can think that all AMK series have the same installation procedures

Step 1

Insert the RACK LCD Console Drawer into the 19" rack cabinet in the desired position. Attach the 2x rear support brackets and extending into the proper length of the cabinet depth. And secure the 2x brackets on each side with the supplied screw. Secure the rear and front rack mounting to properly mount and fix its position into the cabinet

Step 2

Connecting the KVM cables: VGA D-sub 15 pin was connected to the rear of drawer, and VGA D-sub 15 pin and PS2 KB/MS or USB were connected to PC or server. For the AMK808/ AMK708/ AMK508 both PS/2 and USB type can be used with the KVM, just choose the desire type to match with your system, the KVM accepts both.



Step 3

Double-check all of the connections. You can check the color of keyboard and mouse connector to make sure the keyboard and mouse cables go to the correct ports.

Step 4

Connect the AC power cable into rear of the drawer unit.
Turn on the drawer unit main power on the back of the chassis

Step 5

Turn on all the computers and then boot them one by one. Switch on your monitor make sure every monitor can be display and then set the computer's Monitor power always on. In order to keep the connection form KVM to the Computers.

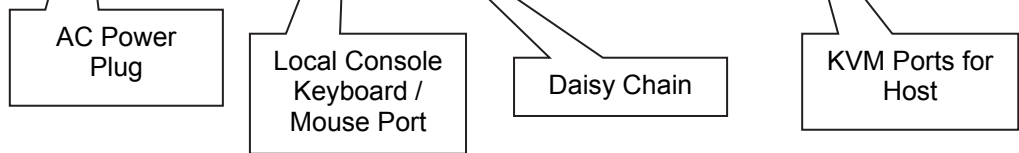
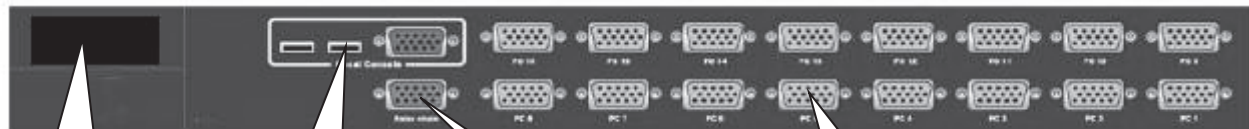
COMBO KVM Connection

The rear section of the unit will have a series of connections for connecting to systems

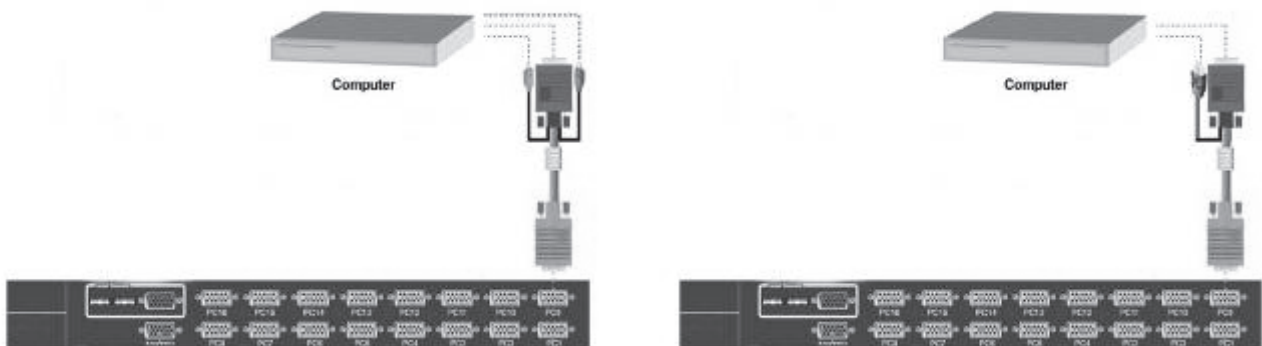
8 Ports



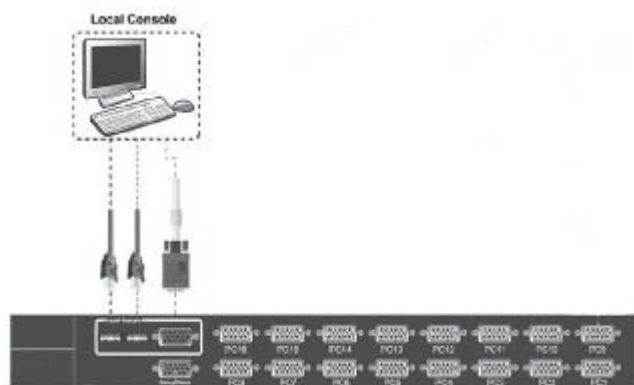
16 Ports



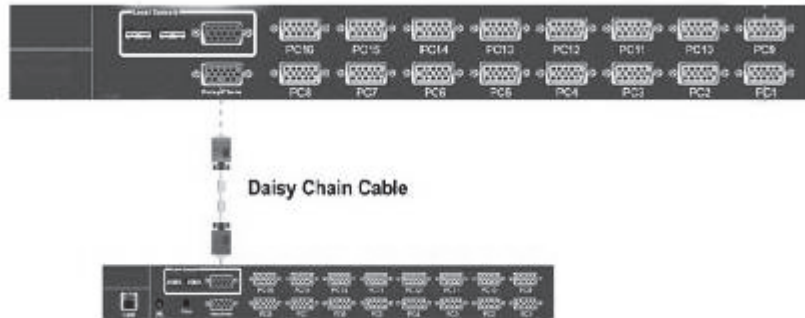
Connecting KVM Ports for Host using PS2/ USB connection. Connect single ended D-Sub end to KVM port and other end composing of VGA D-Sub, PS2/ USB Keyboard and Mouse to corresponding ports on the system.



You can connect a local console port to operate the KVM bypassing the built-in LCD and keyboard/touchpad through the rear local console port. Connect the VGA D-Sub connector and USB keyboard and USB mouse to the port marked.



You can connect additional KVM port by adding additional KVM switches and connecting between them a daisy chain cable. The control will be from the primary KVM by changing banks selection.



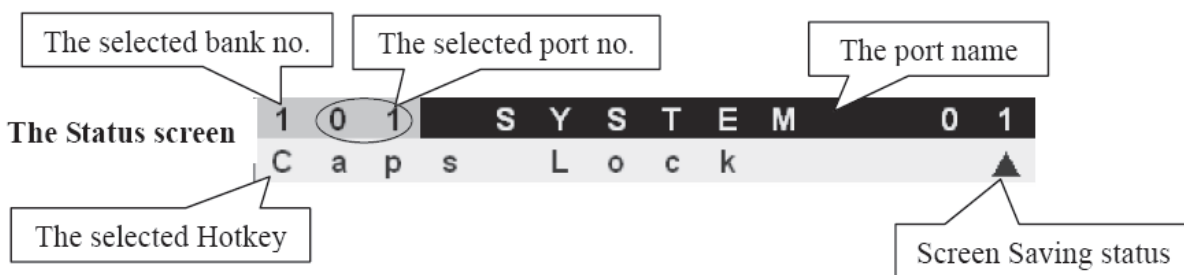
COMBO KVM OSD Operations

When powering up the unit it is require that you provide authentication to access the KVM control for all system connected to the unit. The default user name is **00000000** and the default password is **00000000**

The Login window



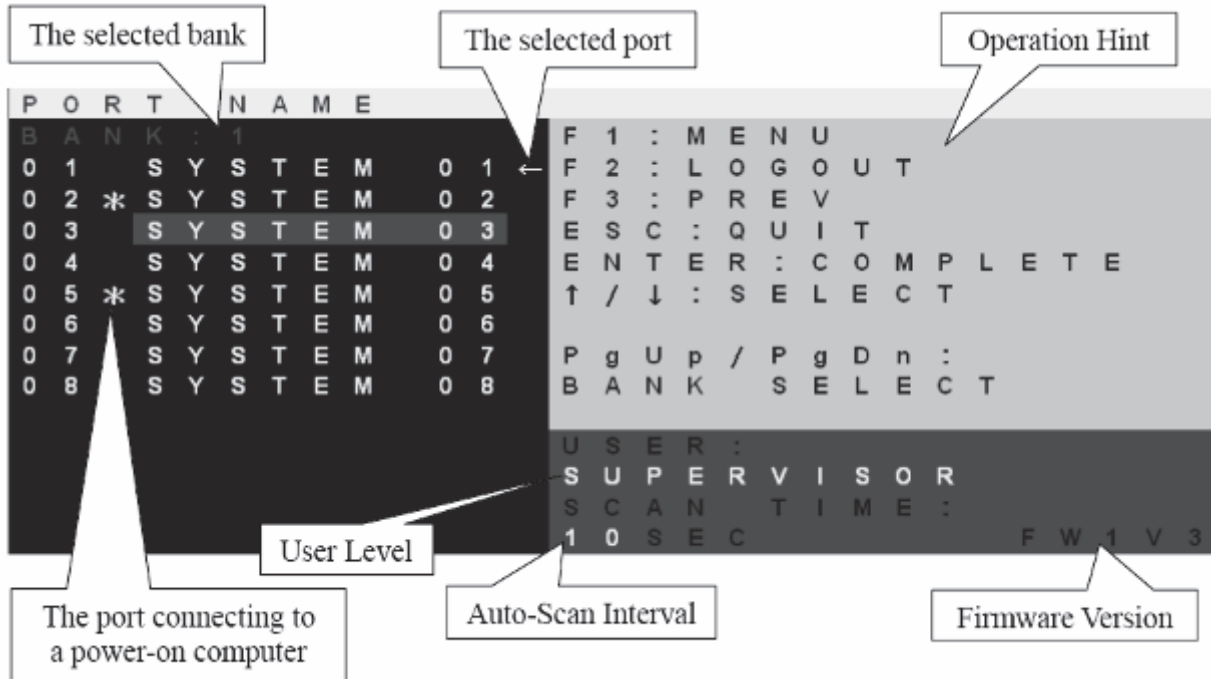
After login the screen will display status of the current setting. This will give you information regarding the port (name) and key setting. Pressing any key will remove the status display.



You can bring up the KVM OSD by pressing the **Caps Lock** key twice and then **Space Bar**.



The first page display will show the OSD menu that allows you to choose the main general options you would like to proceed.



Following are list of function key to access each of the action.

OSD Function Key	Description
F1	Go to the Main Menu
F2	To log out the OSD. If Security is enabled it will show up the Login window waiting for username and password. If Security is disabled it will show up the Status window
F3	Previous Menu
Enter	Switch to the selected port
↑ or ↓	Moving Up or Down
PgUp	Previous Bank
PgDn	Next Bank
Esc	Exit
1	Show ports 01 ~ 08
2	Show ports 09 ~ 16
3	Show ports 17 ~ 24
4	Show ports 25 ~ 32

The bottom right portion of the OSD gives the status of the user login and setting.

USER --- There are two types of user levels: **SUPERVISOR** and **USER**. The default is **SUPERVISOR**. **SUPERVISOR** can setup and change the OSD settings at Main Menu. **USER** can only do the port switch and port search.

SCAN TIME --- This is the time interval for auto-scan function. When auto-scan function is activated, the KVM switch will auto-scan the host port one by one in the interval as setting. Notice that the port without connecting to a computer/server will be skipped over on the scan. The numeric keypad is not supported, while in OSD screen, the arrow keys, PgUp, PgDn, and Enter keys are supported.

By going into the menu, you will receive a new list of functions.

M A I N M E N U	
S E L E C T O P T I O N :	
0 1	L A N G U A G E
0 2	P O R T N A M E E D I T
0 3	P O R T S E A R C H
0 4	U S E R S E C U R I T Y
0 5	A C C E S S L I S T
0 6	H O T K E Y
0 7	T I M E S E T T I N G S
0 8	O S D M O U S E

The language selection allows you to choose the desired display language for reference. **Non-Latin based language are for display purpose only and not for editing

L A N G U A G E	
C H O O S E A L A N G U A G E :	
0 1	E N G L I S H
0 2	F R E N C H
0 3	G E R M A N
0 4	I T A L I A N
0 5	S P A N I S H
0 6	S I M P L I F I E D C H I N E S E
0 7	J A P A N E S E
0 8	R U S S I A N

The port name edit allow you to assign naming to each of the port connected to better recognize and categorize based on your needs.

P O R T N A M E E D I T									
B A N K : 1									
0	1	S	Y	S	T	E	M	0	1
0	2	S	Y	S	T	E	M	0	2
0	3	S	Y	S	T	E	M	0	3
0	4	S	Y	S	T	E	M	0	4
0	5	S	Y	S	T	E	M	0	5
0	6	S	Y	S	T	E	M	0	6
0	7	S	Y	S	T	E	M	0	7
0	8	S	Y	S	T	E	M	0	8

The port search allows you to find by the name which you have assign to a port. This is especially useful when you have multiple banks of ports. By searching a wildcard *, it will return all port names.

P O R T S E A R C H									
E N T E R N A M E :									
<hr/>									

The user security menu allows you to assign 1 supervisor and up to 8 users. User name and password are assigned here.

U S E R S E C U R I T Y									
	N A M E							P A S S W O R D	
S	0	0	0	0	0	0	0	0	0
1									
2									
3									
4									
5									
6									
7									
8									

Press the **Enter** key or left button of mouse for editing. The left-top “S” means SUPERVISOR, and “1”, “2”, “3”,....., “8” mean USERS. The maximum length of NAME and PASSWORD is eight characters (A~Z and 0~9).

Press **Enter** key to start the editing. After the editing, press **Esc** key to cancel the editing without any change or press **Enter** key to save the setting.

HINT1: Blank has underscore, while SPACE doesn't have.

HINT2: Hit any alphanumeric key so can move to next input item. SPACE is treated as a valid character

HINT3: At default, all USER's username = SPACE and password = SPACE, but they are invisible, so anyone can use SPACE SPACE to log in.

The access list allows you to assign user right to each port. Only the supervisor can configure the access list. Use the Enter key to toggle the port right, where O means enable and X means disable.

A C C E S S L I S T										
B A N K	:	1	2	3	4	5	6	7	8	
0 1		S Y S T E M	0 1	O	O	O	O	O	O	O
0 2		S Y S T E M	0 2	O	O	O	O	O	O	O
0 3		S Y S T E M	0 3	O	O	O	O	O	O	O
0 4		S Y S T E M	0 4	O	O	O	O	O	O	O
0 5		S Y S T E M	0 5	O	O	O	O	O	O	O
0 6		S Y S T E M	0 6	O	O	O	O	O	O	O
0 7		S Y S T E M	0 7	O	O	O	O	O	O	O
0 8		S Y S T E M	0 8	O	O	O	O	O	O	O

Port name: points to the SYSTEM column
users: points to the user columns (1-8)
Port no.: points to the BANK column

The hot-key menu allows you to set the hot key used to bring up the OSD.

H O T K E Y	
S E L E C T	H O T K E Y :
S c r o l l	L o c k
N u m b e r	L o c k
C a p s	L o c k
L e f t	C t r l
R i g h t	C t r l
L e f t	A l t
R i g h t	A l t
L e f t	W i n
R i g h t	W i n

The time settings menu allows you to set the auto-scan time for host port by port.

T I M E S E T T I N G S	
S C A N	T I M E :
1 0	S E C

The OSD mouse menu allows you to set the OSD cursor mouse speed.



COMBO KVM Hot Key Operation (AMK808/ 816/ 708/ 716-CB)

Hot key can be provides convenient short cut to access functions similar to the OSD menu. You can have a full command of the KVM switch through a simple sequence of key. To access, you must press the **hotkey** (default **Caps Lock**) **twice within 2 seconds**. You will hear a beep sound confirming activation, then pressing another command key to submit. If you do not press any command key 2 second afterward it will escape back to normal mode.

Command	Function
Space bar	Bring up the OSD overlay screen
↑ or ↓	Moving Up or Down
[1,2,...,8] bank, [01, 02,...,32] port	<ul style="list-style-type: none"> ■ The first digit is bank number starting with “1”. The first KVM switch unit on the Daisy chain line is of bank 1 (the Master). A standalone KVM switch is fixed in bank 1. ■ The second & third digits are port number starting with “01”.
PgUp	Previous bank
PgDn	Next bank
B	To enable/disable beep sound function
L	To enable/disable the Screen Saving function and 10min auto-logout function. This function is default OFF (Disable) .
P	To log out the OSD . If Security is enabled it will show up the Login window waiting for username and password. If Security is disabled it will show up the Status window
R	For SUPERVISOR to set the OSD back to factory default value (except User Security settings).
S	For SUPERVISOR to activate the Auto-Scan function
U	For SUPERVISOR to enable/disable Security function. If the Security is off, we don't need user name & password to access to the KVM system. This function is default OFF (Disable) .

Troubleshooting

1. Ensure that all cables are well seated. Label all of cables with the number for each respective computer to avoid confusion.
2. The recommended VGA cable distance is 5 meters maximum without ghosting and degradation. Normally, the cable length is based on driver capacity of your VGA card. If you need longer VGA cable, please use VGA extender to accomplish your applications.
3. The recommended PS2 cable distance is 5 meters maximum. Normally, the cable length is based on driver capacity of your motherboard PS2 port. If you need longer PS2 cable, please use PS2 extender to accomplish your applications.
4. The Power Jack polarity is center positive and the power adapter need be DC12V, 1A .
5. Don't press any keys on the keyboard while the selected computer is booting up. Otherwise, it might cause the keyboard error or keyboard is not detected at PC side.
6. The computer boot up fine, but keyboard doesn't work
Make sure the keyboard works when directly plugged into the computer.
Try a different keyboard, but use only 101, 102 or 104-key keyboard.
7. The Mouse is not detected during PC boot up.
Make sure the mouse works when directly plugged into the computer.
Make sure the mouse is a true PS/2 mouse. A combo mouse will work just as long as it is set for PS/2 mode with the correct adapter. Try a different mouse.
Avoiding moving the mouse or pressing the mouse buttons when switching ports.
Avoiding switching ports during shutting down the PC process.
When you switch one PC port to another PC port, the best scan time setting need to be set to 5 sec. or more. Normally, the VGA monitor change one resolution mode to another will take one or two seconds. So, the scan time is not recommended to below 5 seconds.
8. The power switch is off, but the switch still works fine or power adapter is unplugged from the switch, but the switch still works fine.
KVM Switch unit draws the power source from power adapter and all PC's PS2 port. Some PC's PS2 port can support enough power for the switch, but some PC's PS2 port (like laptop, notebook computer...etc.) is unable to supply enough power for the switch. In order to make sure the system can work steadily, please do not set power switch to off state or remove the power adapter from the switch.

Although the PCs connected to KVM Switch unit are able to support enough power to the stand alone switch, KVM Switch unit still needs a power adapter for daisy chain more banks.
9. If forgetting the "password" you typed, please contact your supplier.