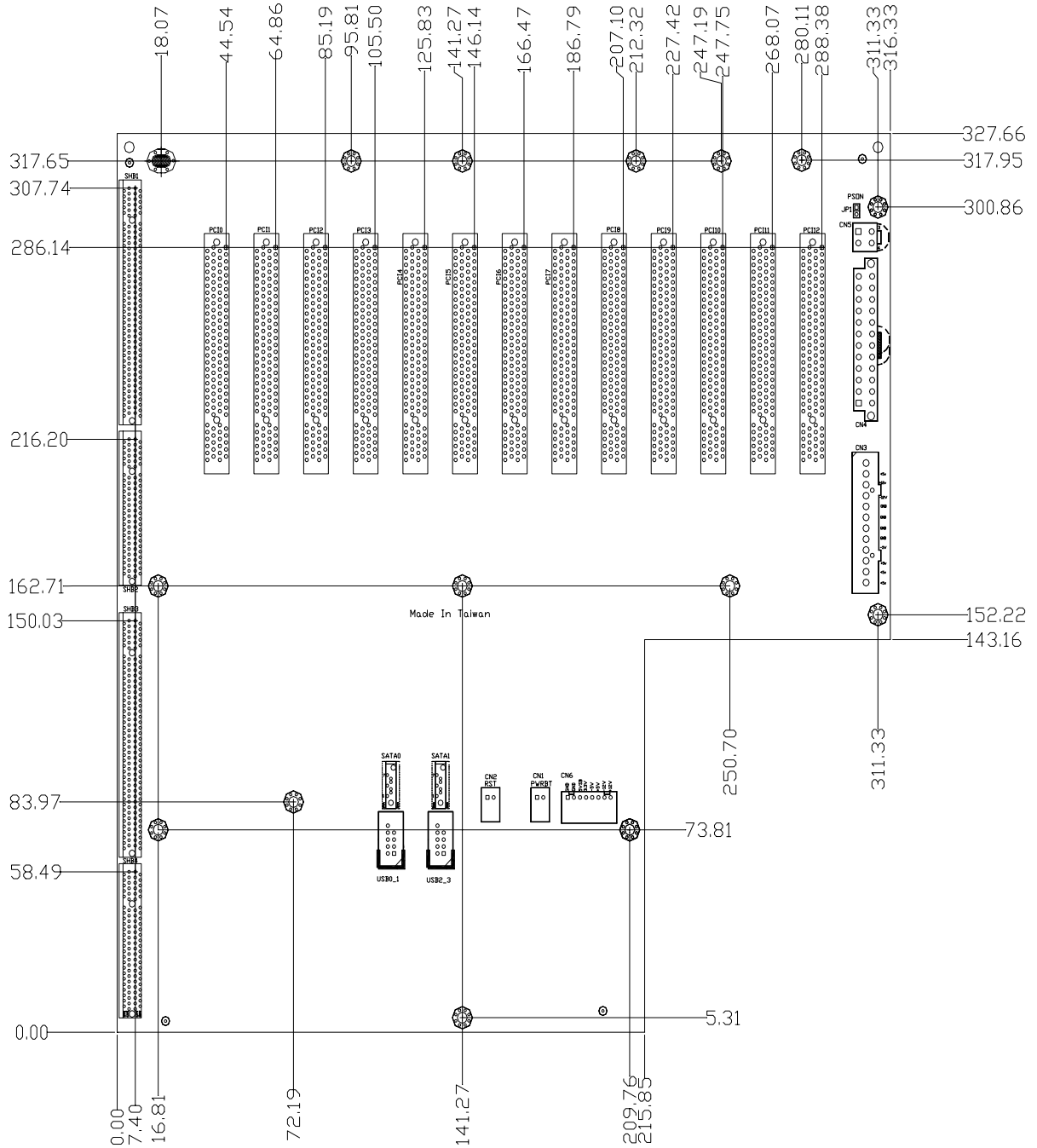


FAB101 Quick Manual

14- Slot ATX-Support PICMG 1.3 Bus Passive Backplane with 13 PCI Slot

I. Board Dimensions

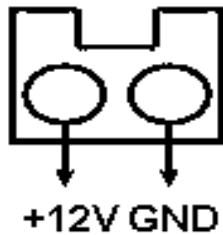


FAB101 Quick Manual
14-Slot ATX –Support PICMG1.3 Bus Passive
Backplane with 13 PCI Slot

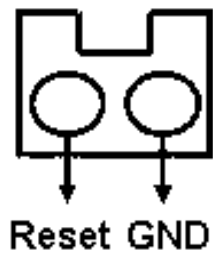
II.Connector

Connector	Description
CN1	Power Botton
CN2	Reset
CN3	AT Power Connector(Optional)
CN4	24 Pin ATX Power Connector
CN5	12V Power Connector
CN6	8 Pin Connector for Thermal Board

■ Power Botton connector-CN1



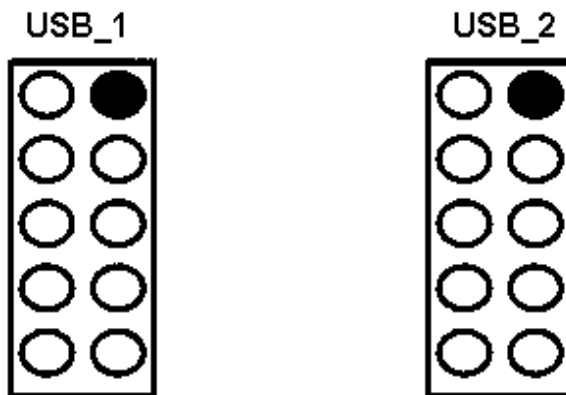
■ Reset Connector-CN2



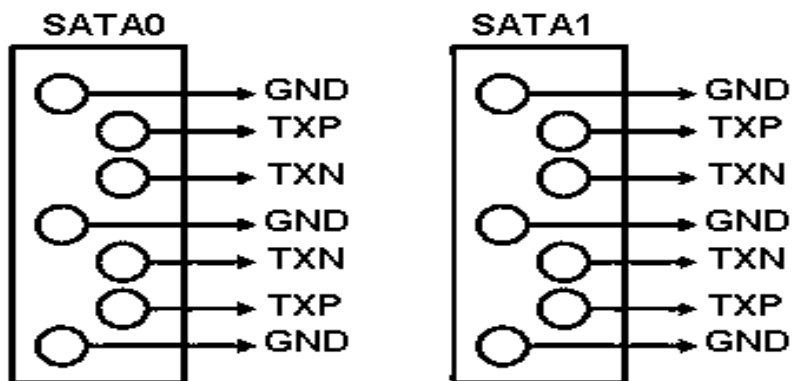
FAB101 Quick Manual

14- Slot ATX-Support PICMG 1 .3 Bus Passive Backplane with 13 PCI Slot

■ USB Connector(Optional Function)



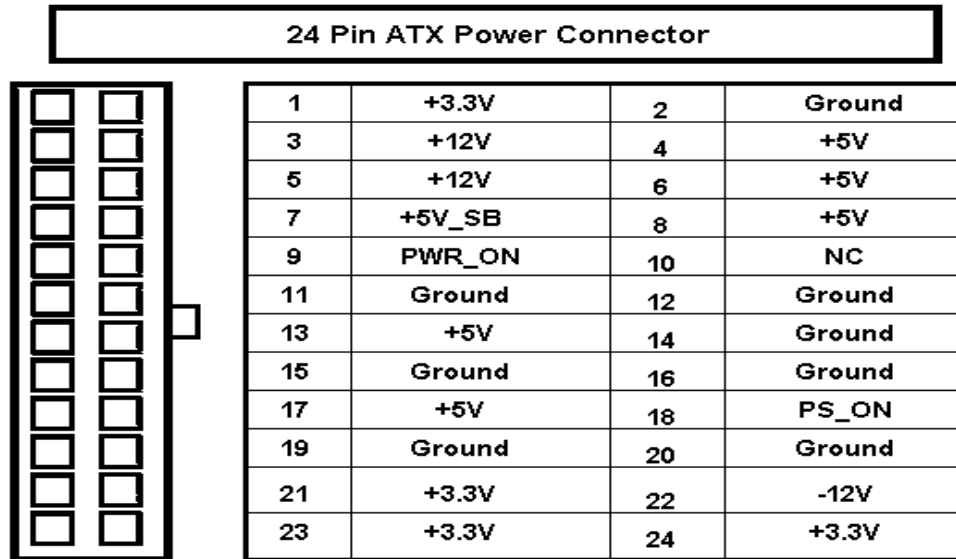
■ SATA Connector(Optional Function)



FAB101 Quick Manual

14-Slot ATX –Support PICMG1.3 Bus Passive Backplane with 13 PCI Slot

■ 24-pin ATX Power Connector-CN4



■ +12V ATX Power Connector-CN5



©Copyright 2001 by AXIOM Technology Co., Ltd.

All rights reserved.

August 2006, Version A1

Printed in Taiwan

9419B101010E

Trademarks Acknowledgments

AXIOM is a trademark of AXIOM Technology Co., Ltd.

Other brand names and trademarks are the properties and registered brands of their respective owners.

Specifications are subject to change without notice.