

# IRU131-FL-DC Quick Guide

## Checklist

- ✓ IRU131 System Unit x 1
- ✓ IRU131 Quick Guide x 1
- ✓ Din-rail Kit x1
- ✓ Power terminal block x 1
- ✓ Screw x 8
- ✓ DIO terminal block x 1

Note: Please contact your local vendors if any damaged or missing items.

Note: Please download the IRU131 support package and Manual from Axiomtek's website listed below.

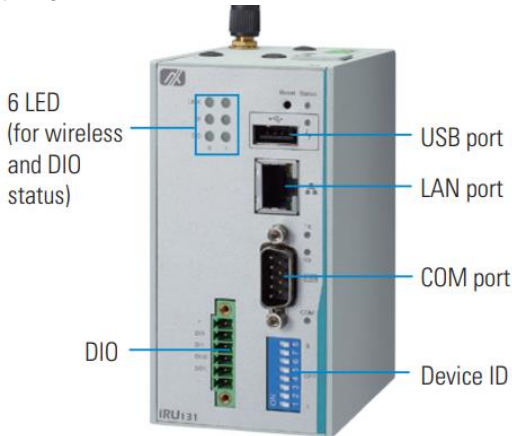
- BSP support package.
- Software User's Manual
- Hardware User's Manual
- Software Development Kit manual
- 

<http://www.axiomtek.com.tw/Default.aspx?MenuId=Products&FunctionId=ProductView&ItemId=24289&upcat=134>

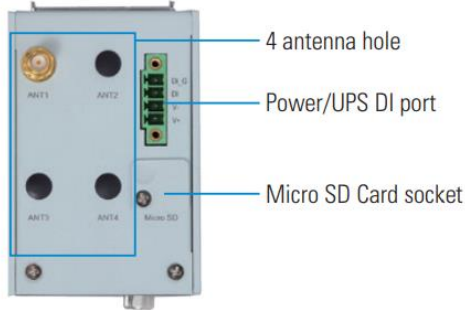
## I/O Outlets

The following figures show you I/O outlets on front view and top view of the **IRU131-FL-DC**

- **Front View**



- **Top View**



- **Bottom View**



- **Installing Din-rail Mounting**

Prepare DIN Mount assembling components (screws and bracket) ready.



# Dimensions

