

ITC080 Series

Cose-effective Body Temperature Kiosk with Facial Recognition

Features

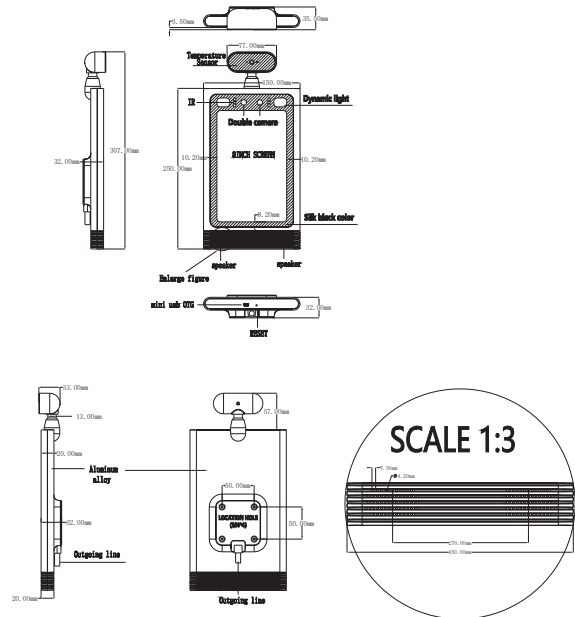
- Supports real-time body temperature detection, covering the situation of mask/glass/scarf/hat/makeup wearing and twins
- Supports accurate algorithm for biometric dynamic face recognition in less 0.5s
- Supports email temperature alert
- Rich I/Os enable connections with personnel gate and access control host
- Supports real-time data record and exportation
- Supports APK, API file sharing for secondary development
- Android 8.1 operating system



Specifications

Display	LCD Panel Size	8"
	Brightness (cd/m ²)	350 nits
	Resolution	820 (H) x 1280 (V)
	Contrast Ratio	1000:1
	Aspect Ratio	16:10
System	CPU	Quad-Core ARM® Cortex®-A7, up to 1.8GHz (RK3288) Mali-T764 GPU
	RAM	2GB
	Internal Memory	16GB
	Operation system	Android 8.1
I/O	1 x mini USB OTG	
	1 x USB host	
	1 x Relay control port	
	1 x Wiegand out control port	
	1 x GPIO control port	
	1 x RJ-45 10/100 Mbps Ethernet	
Thermal Sesnor	Optimum Detection Distance	30 to 50 cm
	Detection Accuracy	±0.3
	Type	Infrared detection
	Dual Light Multi Lattice Infrared Thermal Imaging	Accurate recognition temperaturewarning with data stored in cloud server
	Optimum Temperature Range for Measurement	+30°C to +45°C (Base on thermal sensor)
Device	Status Indicator	Tri-color LED function indicator
	Speaker	2 x 2W
	Camera	2M RGB & IR 1080P front camera
	OSD	Multilingual OSD in English/German/Italian/Japanese/Korean
	Reliability	Operating Temperature
Optimum Working Environment Temperature		+20°C to +27°C, avoid to exposed to direct sunlight (Base on thermal sensor)
Operating Humidity		20% to 95%, non-condensing
Storage Temperature		-20°C to +60°C
Power Consumption		Below 18W
Protection Level		IP54
Other	Adapter	12V/2A
	Installation and Fixation	1.1 meters height for standard stand

Dimensions



Ordering Information

ITC080DT (Desk Top)	8 inch 820 x 1280 display, Quad-Core ARM® Cortex®-A7 up to 1.8GHz, onboard memory 2G & EMMC 16GB, Android 8.1, 1 Thermal Sensor, 2M & IR Camera, 1 mini USB OTG, 1 USB host, 1 Relay control port, 1 Wiegand out control port, 1 GPIO control port, 1 RJ-45 10/100 Mbps Ethernet, 1 DC power 12V input with Desk Top Stand
ITC080FS (Floor Stand)	8 inch 820 x 1280 display, Quad-Core ARM® Cortex®-A7 up to 1.8GHz, onboard memory 2G & EMMC 16GB, Android 8.1, 1 Thermal Sensor, 2M & IR Camera, 1 mini USB OTG, 1 USB host, 1 Relay control port, 1 Wiegand out control port, 1 GPIO control port, 1 RJ-45 10/100 Mbps Ethernet, 1 DC power 12V input with Floor Stand
ITC080WM (Wall Mount)	8 inch 820 x 1280 display, Quad-Core ARM® Cortex®-A7 up to 1.8GHz, onboard memory 2G & EMMC 16GB, Android 8.1, 1 Thermal Sensor, 2M & IR Camera, 1 mini USB OTG, 1 USB host, 1 Relay control port, 1 Wiegand out control port, 1 GPIO control port, 1 RJ-45 10/100 Mbps Ethernet, 1 DC power 12V input with Wall Mount Kit