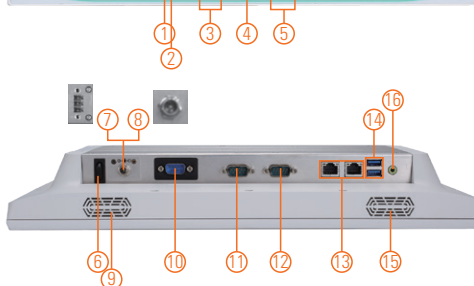


MPC153-834

15.6" WXGA TFT Fanless Medical Grade Touch Panel Computer with Intel® Celeron® Processor J1900

Features

- 15.6" WXGA TFT LCD display with LED backlight
- Projected capacitive touch or 5-wire flat resistive touch for optional
- Fanless design with Intel® Celeron® processor J1900 4 cores (up to 2.42 GHz)
- EN 60601-1/CE/FCC class B certified
- Half-slim SSD & CFast™ or mSATA
- Antimicrobial plastic enclosure
- IP65 front bezel and IPX1 full enclosure design
- Supports wall mount, VESA arm and desktop stand
- Supports smart card reader (optional)



1. Power LED
2. HDD LED
3. Brightness adjust +/-
4. Display on/off
5. Volume adjust
6. Power switch (ATX)
7. Terminal block for DC power input
8. Screw connector with AC power adapter
9. Speaker
10. Isolated COM
11. 1 x RS-232/422/485
12. 1 x RS-232/422/485
13. 2 x LAN
14. 2 x USB 3.0
15. Speaker
16. 1 x Audio (Line-out)



Introduction

The MPC153-834 is a 15.6" fanless medical grade touch panel computer. In response to market demand, this medical touch panel computer is a cost effective solution. It adopts a modern, sleek and fanless design and is powered by the Intel® Celeron® processor J1900 4 cores up to 2.42 GHz (Bay Trail). For wireless network connection, the MPC153-834 offers 2 PCI Express Mini Card slots. By just plugging in a WLAN card, customers can have instant access to wireless LAN/GPRS/GSM/4G environments. Besides, it provides two types of power input: DC power input (9 to 36VDC) with terminal block connector and AC medical power adapter with screw type connector.

Slim & Lightweight Design

The 15.6-inch medical panel PC is slim and lightweight, perfect for limited space installation.

Built-in Internal WLAN Antenna

The MPC153-834 has 2 PCI Express Mini Card slots and a built-in WLAN antenna for wireless network connections. By simply plugging in the wireless LAN card, customers can use the medical computer in wireless LAN/GPRS/GPS/4G environment.

Support Front Membrane Keys

The MPC153-834 has 5 membrane keys on the front panel which allows users to adjust the LCD on/off, LCD brightness and volume setting easily.

Certifications

This 15.6-inch fanless medical panel platform complies with EN 60601-1, CE, FCC Class B certifications to ensure medical operation safety.

Specifications

Front Bezel	IP65 front bezel	
LCD Panel	Display Type	15.6" WXGA TFT LCD display with LED backlight
	Brightness (cd/m ²)	300 nits
	Resolution	1366 x 768
Main System	CPU	Intel® Celeron® processor J1900 4 cores
	System Memory	1 x 204-pin DDR3L-1066/1333 SO-DIMM, up to 8GB
	BIOS	AMI UEFI BIOS
	Storage	1 x Half-slim SSD 1 x CFast™ or mSATA
	Watchdog Timer	255 levels, 0 to 255 sec.
	Onboard Graphics	Integrated Intel® GFX

Specifications

I/O Connector	2 x RS-232/422/485 (default RS-232) 1 x RS-232 with isolated 4kV 2 x 10/100/1000 Mbps Ethernet (Intel® i210-IT) 2 x USB 3.0 1 x Audio (Line-out)
Expansion Interface	1 x Full-size PCI Express Mini Card with mSATA 1 x Full-size PCI Express Mini Card with SIM
Touchscreen	Projected capacitive multi-touch or 5-wire flat resistive touch
Power Supply	AC version: medical grade 100 to 240 V AC-DC, 60W power adapter DC version: 9 to 36 VDC with terminal block
Dimensions	394.2 mm (15.53") (W) x 57 mm (2.25") (D) x 257.2 mm (10.13") (H)
Packing Dimensions	510 mm (20.09") x 190 mm (7.48") x 540 mm (21.26")
Weight (net/gross)	3.0 kg (6.61 lb)/4.5 kg (9.92 lb)
Operating Temperature	0°C to +40°C (32°F to +104°F, with RAM thermal kit)
Relative Humidity	20% to 90% @ +40°C; non-condensing
Operation Vibration	2G, 10 - 500Hz, random for CFast™
Certifications	CE, FCC class B and EN60601-1

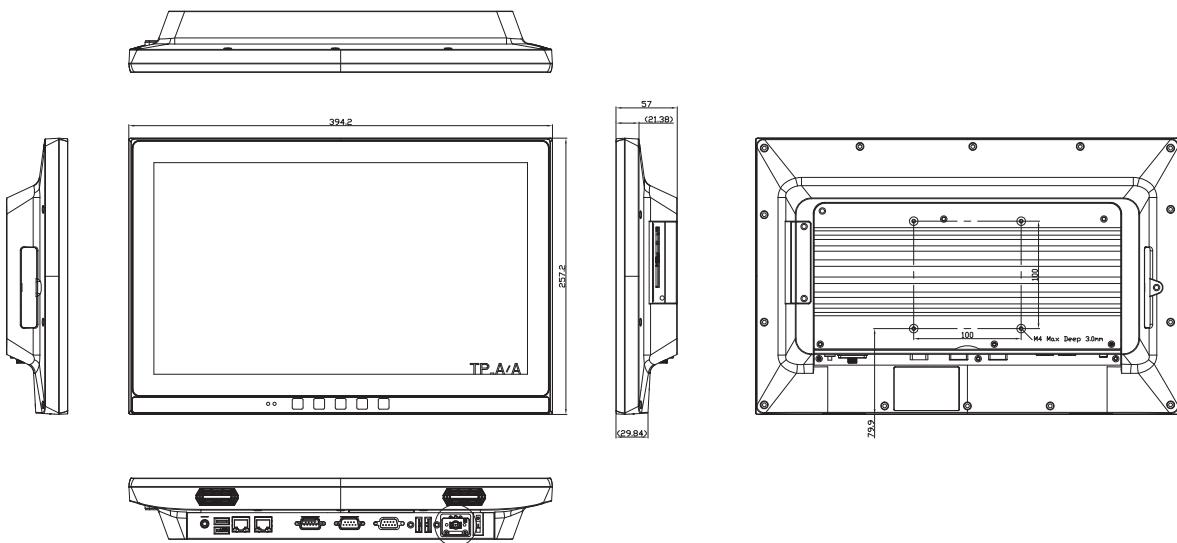
* W.T.: Wide Temperature. All W.T. supported products have to be sorted by Axiomtek.

* The DC power source to be used with MPC153-834 must be galvanically isolated according to IEC60601-1 safety of medical devices!

Packing List

- 1 x MPC153-834
- 1 x Driver CD
- 1 x Adapter (MPC153-834-J)
- 1 x Power cord (MPC153-834-J)
- 1 x Phoenix connector (MPC153-834 DC)

Dimensions



Phoenix plug For DC version



Din-jack For AC version

Ordering Information

Standard

MPC153-834-FR-J	15.6" WXGA fanless medical touch panel computer with Intel® Celeron® processor J1900, 5-wire flat resistive touch screen, AC-DC 60 W power adapter (screw type connector), EMI class B and EN 60601-1 certified
-----------------	---

Optional Accessories

Wi-Fi + Bluetooth kit

Smart card reader kit

*Specifications and certifications may vary based on different requirements.

Optional EOS Installation

WES7

WEBS

Optional OS Installation

Windows® 7

Windows® 8.1

1

2

3

4

5

6

7

8

9

Medical Panel Computers