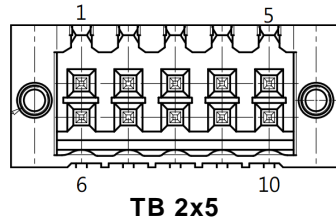


## Terminal Block COM PORT pinout

The TB 2x5 connector for DI & DO

Pin	CN2	CN3
1	External PWR	COM+
2	DI_GND	COM-
3	DI0	DO0
4	DI1	DO1
5	DI2	DO2
6	DI3	DO3
7	DI4	DO4
8	DI5	DO5
9	DI6	DO6
10	DI7	DO7



## Digital I/O Specification

### A. Digital Input:

Input channels: 8, sink/source type

Input voltage: 0 to 30VDC at 25Hz

**<Input level for dry contacts>**

Logic level 0: close to ground

Logic level 1: open

**<Input level for wet contacts>**

Logic level 1: +/-3VDC max.

Logic level 0: +/- 10VDC min. to +/-30VDC max. (source to digital input)

### B. Digital output:

Output channels: 8 sink type

Output current: 200mA max. per channel

On-state voltage: 12~ 24VDC nominal

Max. voltage on COM+: 30VDC

## VAM200 Quick Installation Guide

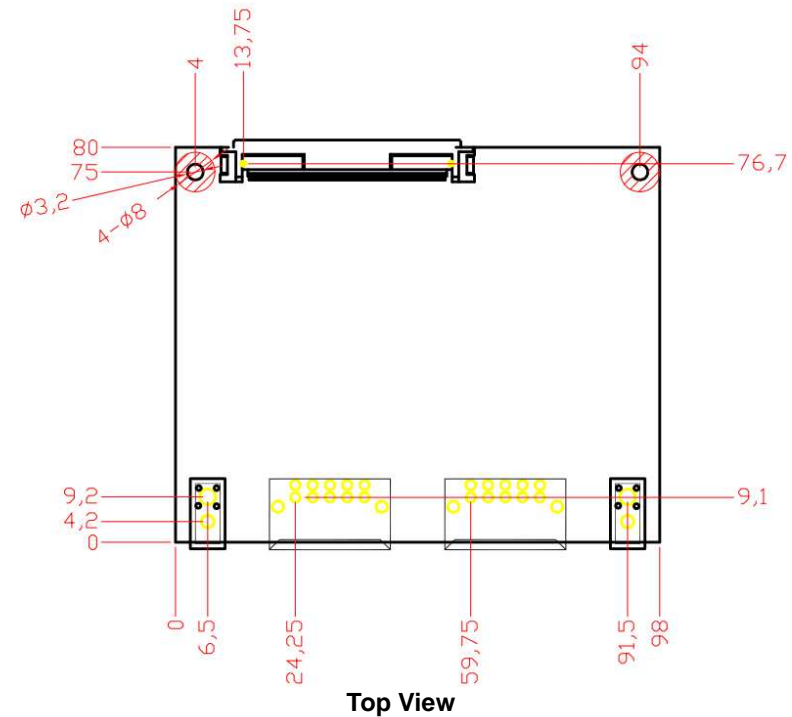
### Checklist

✓ VAM200 module x1

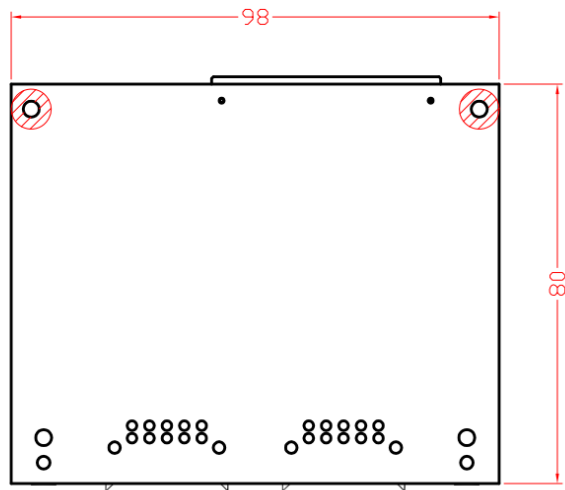
✓ Quick Installation Guide x1

**Note:** Please contact your local distributor if any item is damaged or missing. DO NOT apply power to the board if any component is damaged.

### Dimensions and Fixing Holes

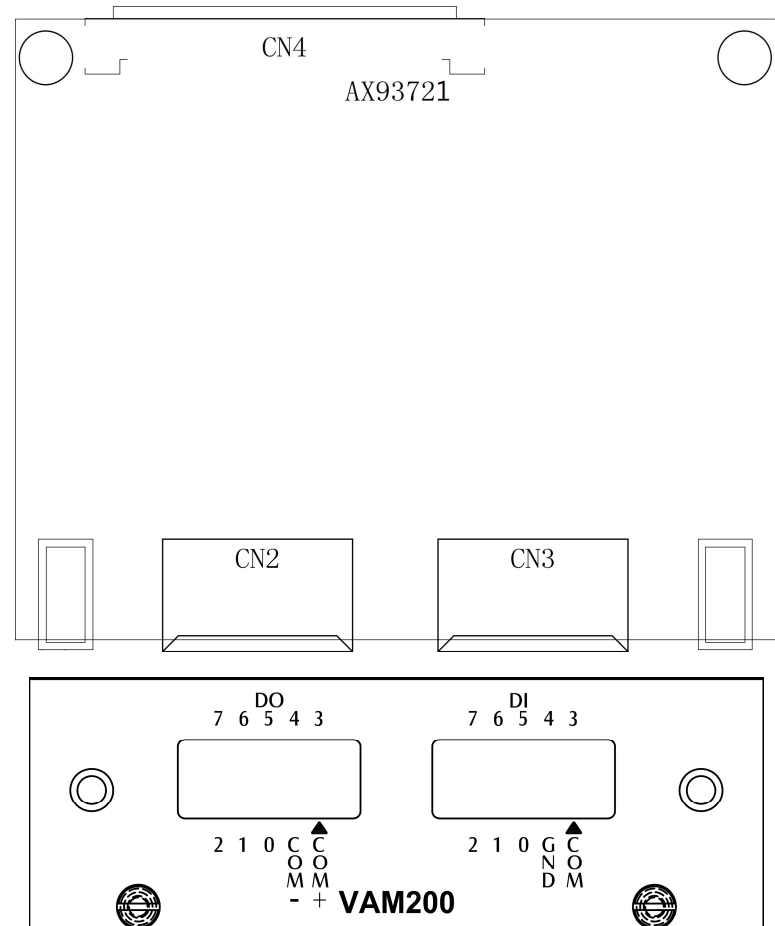


VAM200 8-in/8-out isolated DIO



**Bottom View**

**Board Layout & I/O Print Screen**



**Connectors**

Connector	Description
CN4	The connection between the MB & I/O Module
CN2, CN3	The terminal block connector for DIO