

DRPC-124-EHL

■ Fanless DIN-Rail Embedded System

Features

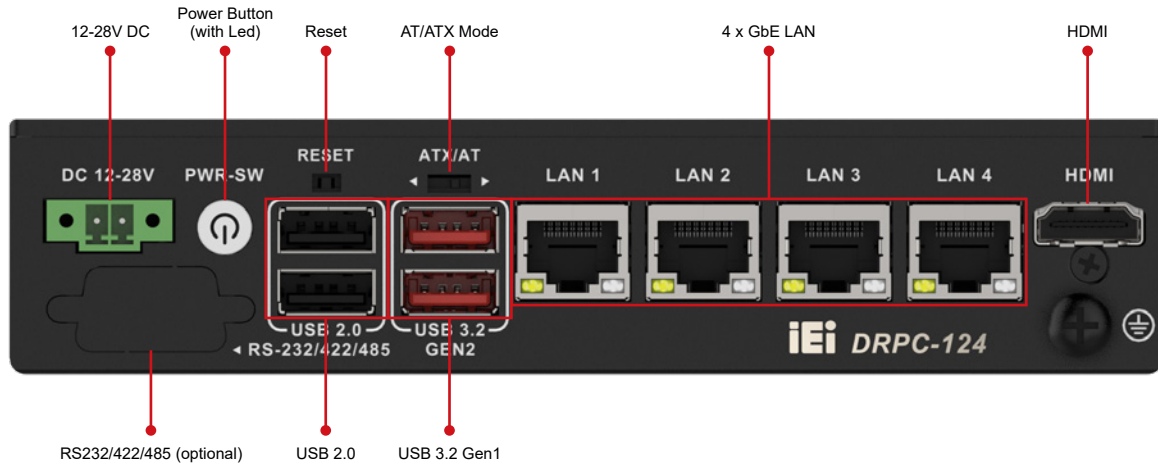
- Compact Industrial Mini PC
- Fanless system
- Intel® Celeron® J6412 2.0 GHz (up to 2.6 GHz, quad-core, TDP 10W)
- Four GbE LAN



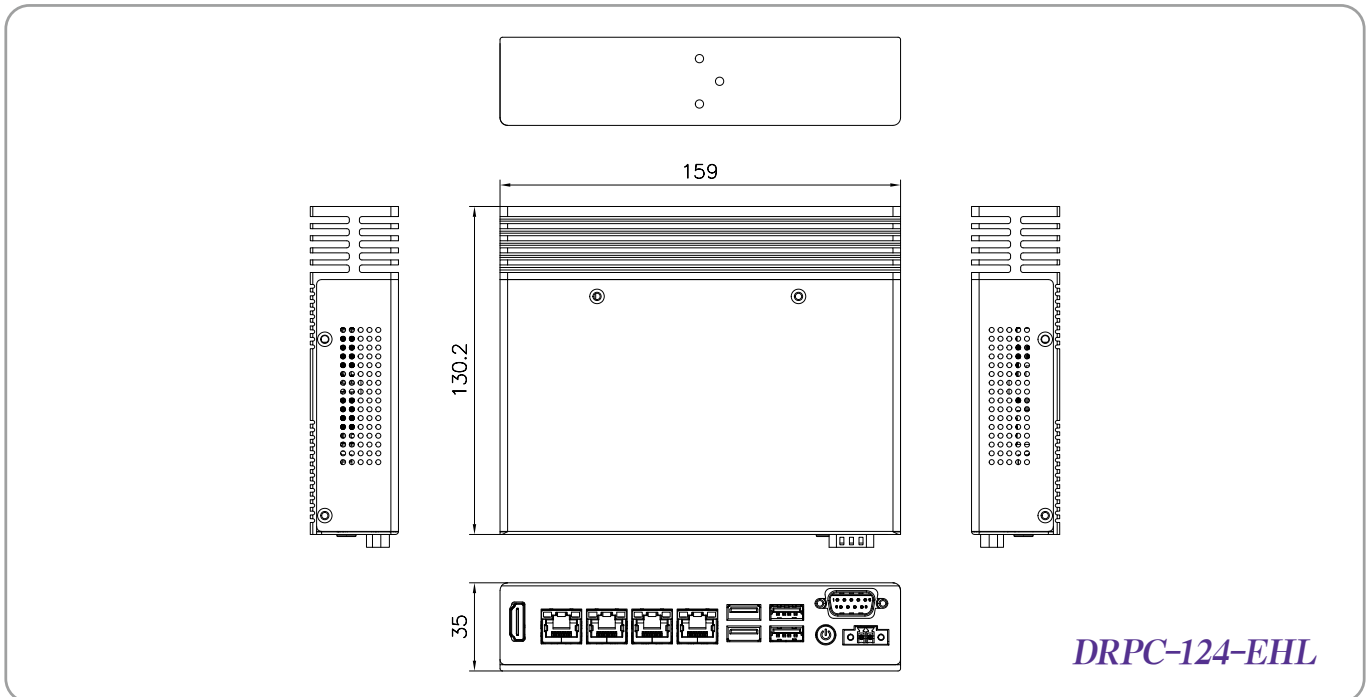
Specifications

Model Name		DRPC-124-EHL
Chassis	Color	Black
	Dimension(WxDxH)(mm)	159 x 135 x 35
	System Fan	Fanless
	Chassis Construction	Extruded aluminum alloy
Motherboard	CPU	Intel® Celeron® J6412 2.0 GHz (up to 2.6 GHz, quad-core, TDP 10W)
	Chipset	SoC
Memory	System Memory	LPDDR4X on board 8GB (MAX 16GB)
Storage	Emmc	eMMC 5.1 64/128G (Optional)
I/O Interfaces	USB	2 x USB 3.2 Gen1 2 x USB 2.0
	Ethernet	1 x RJ-45 PCIe GbE by I210 controller 3 x RJ-45 PCIe 2.5 GbE by I225V controller
	Display	1 x HDMI 1.4B
	COM	1x RS-232/422/485 (DB9)(Optional)
	TPM2.0	Intel PTT
	Others	1 x Power Button (with LED), 1 x Reset Button
Expansions	M.2	1 x 2242 B-key (PCIe x 2) 1 x 2242 B-key (SATA) 1 x 2280 M-key (PCIe x 2)
Power	Mounting	DIN
	Operating Temperature	-10°C ~ 50°C with air flow (M.2), 10% ~ 95%, non-condensing
Reliability	Storage Temperature	-20°C ~ 70°C with air flow (M.2), 10% ~ 90%, non-condensing
	Operating Shock	Half-sine wave shock 5G, 11ms, 100 shocks per axis (M.2)
	Operation Vibration	MIL-STD-810G 514.6C-1 (M.2)
	Weight (Net/Gross)	TBD
	Safety / EMC	CE, FCC, UKCA
	Watchdog timer	Programmable 1 ~ 255 sec/min
	Weight	TBD
OS	Supported OS	Microsoft® Windows® 10/11, Linux

Fully Integrated I/O



Dimensions (Unit: mm)



DRPC-124-EHL

Ordering Information

Part No.	Description
DRPC-124-EHL-JC-R10	Fanless System with Intel® Celeron® J6412 2.0GHz (up to 2.6 GHz, Quad Core, TDP 10W), on board 8GB LPDDR4x memory, 1 x GbE Lan, 3 x 2.5GbE Lan, 1 x HDMI, 12-28V DC, RoHS

Packing List

1 x Mounting Screw