

# SATA to CF Type II Converter Board

## SACF-KIT01-R10

SATA to CF converter board



### Features

1. CF Type II socket
2. 50-pin CF Type II connector



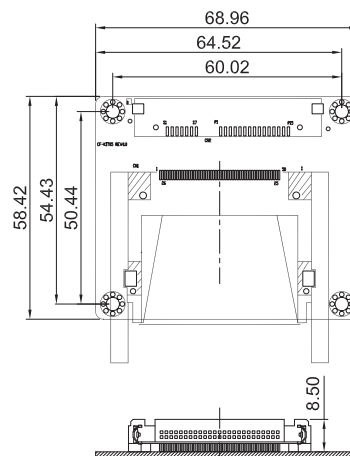
32801-000100-300-RS

### Packing List

1 x SACF-KIT01-R10	1 x QIG
1 x SATA with power cable kit (P/N: 32801-000100-300-RS)	

### Ordering Information

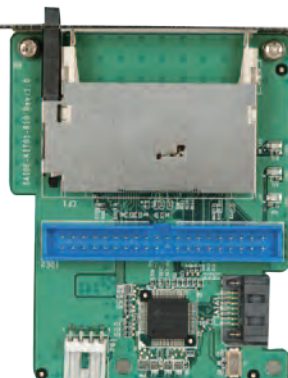
Part No.	Description
SACF-KIT01-R10	SATA to 50-pin CF socket converter board
45015-002858-00-RS	CF Type II cover with right side ejector



# SATA to IDE/CF Type II Converter Board

## SAIDE-KIT01-R10

SATA to IDE/CF converter board



### Features

1. CF Type II socket
2. 40-pin IDE connector (master mode)
3. 4-pin 5V input connector
4. Power/5V/HDD LED indicator
5. Support one IDE device or one CF



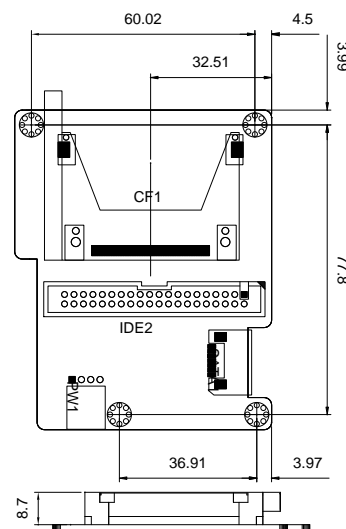
32100-064401-RS

### Packing List

1 x SAIDE-KIT01-R10	1 x QIG
1 x Power cable (P/N: 32100-171800-RS)	

### Ordering Information

Part No.	Description
SAIDE-KIT01-R10	SATA to 40-pin IDE/CF socket converter board with bracket
32000-062800-RS	SATA cable
32102-000100-200-RS	SATA power cable
32100-064401-RS	Power cable



# IDE/CF Type II Converter Board

## CF-KIT04-R10

IDE to CF Type II converter board with master/slave mode selection



### Features

1. CF Type II socket with master/slave mode selection
2. 4-pin power connector
3. Power/HDD signal LED

### IEI CF Solution



iCF1000 Industrial standard grade



iCF1000 Wide Temp. grade

