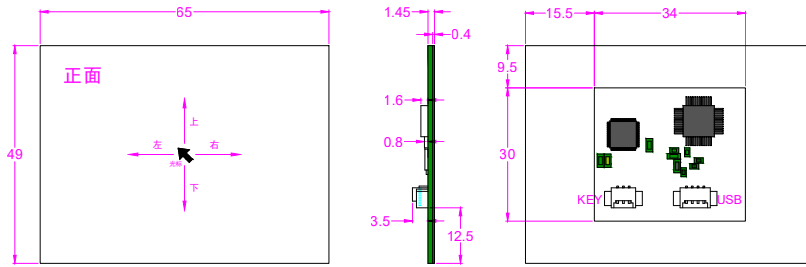
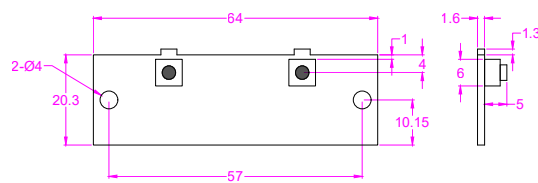


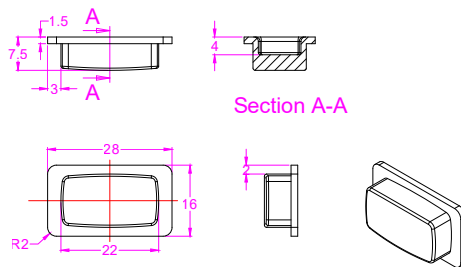
Date	Changes	REV
2023.02.07	Original	1.0



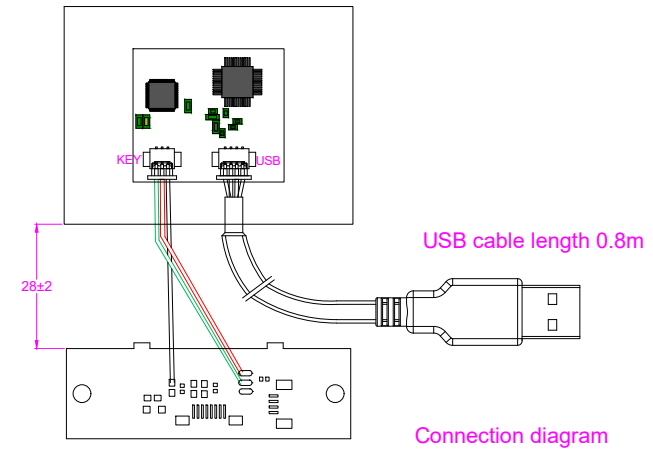
HTP65-USB



Key board



Key cap



USB cable length 0.8m

Connection diagram



Socket definition



KEY TECHNOLOGY(CHINA)LIMITED

深圳市键特电子有限公司

www.rugged-key.com www.rugged-key.cn



Part Name	K-TEK-HTP65-USB+Key board+Key cap			Project Name				
Part No.	K-TEK-HTP65-USB+Key board+Key cap			Project No.				
Material				Scale	1:1	Unit	mm	
Date	2023.02.07	Version	1.0	Tolerance	IT12	Sheet	1 of 1	
Designed	Chen Xiaobing	Audited		Tony Deng	Approved			