

# AC-AR0147 Series

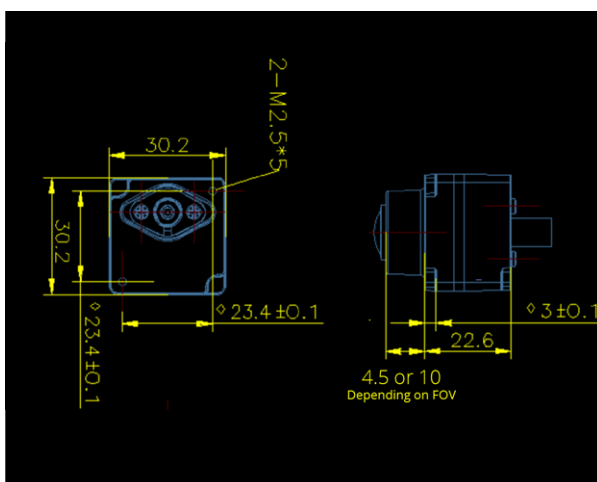
1M Pixel Automotive GMSL Camera



## Technical Specification

	AC-AR0147-H40	AC-AR0147-H60	AC-AR0147-H90	AC-AR0147-H120	AC-AR0147-H190
HFOV	41	59	90	125	197
VFOV	23	32	50	89	130
DFOV	48	69	103	139	207
IP Rating	IP67	IP67	IP67	IP67	IP67
Sensor	Onsemi AR0147AT (RGB)				
ISP	Onsemi AP0101				
Serializer	Maxim MAX96705				
Connector	FAKRA Z Type				
Output Pixels	1280x720 @ 30fps				
Output Format	YUV 422 (UYVY)				
HDR Range	> 120dB				
Power Supply	5-16V POC (Power Over Coaxial)				
Operating Temperature	-40 to 85°C				
Dimensions	30 x 30 x 22.5 (without optic & cable connector)				
CE/FCC	(Undergoing)				

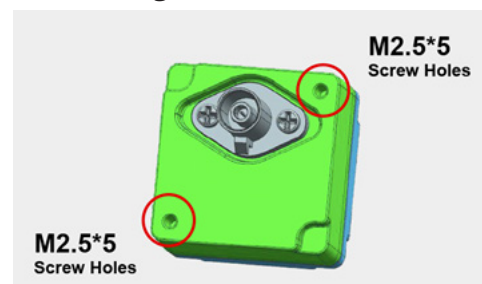
## Dimension



In addition to the optics part of the camera, AC-AR0147 shared the same form factor.

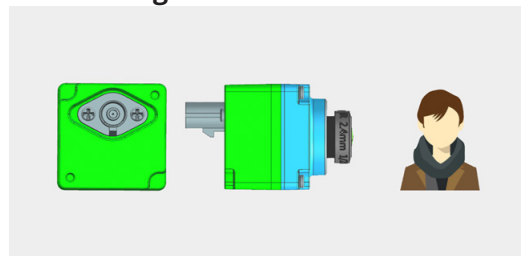
## Mounting Guide

### 1. Mounting Screw Holes



You can mount the AC-AR0147 series on a panel with two M2.5 5mm screws.

### 2. Mounting Direction



The above image shows the relationship between the camera direction and image direction.