

PANEL5000-A172

Precision resistive touch screen, COM / USB optional, VGA / DVI signal input



Introduction

PANEL5000-A172 is ultra-thin industrial touch monitor that supports VGA and DVI inputs, front panel made of magnesium alloy with a PET film, support 12-24V DC power input, power interface uses Fastening Type Phoenix terminal, to prevent accidental removal during use; touch screen with high temperature five-wire resistive, with high sensitivity, dust and waterproof, anti-oil, with gloves may merit normal operation, touch screen flexibility to choose the COM port, USB port to communicate with the host.

PANEL5000-A172 front panel compliant NEMA / IP65 waterproof and dustproof standard, to prevent installation in the control cabinet because of the scene splashing water droplets and water vapor into the host and thus affect equipment operation; high-strength steel box structure, so that it can adapt to the harsh industrial site work environment, the most suitable for factory automation, machinery manufacturing, CNC equipment, textile equipment, communication networks, power automation and other industrial applications.

Features and Benefits



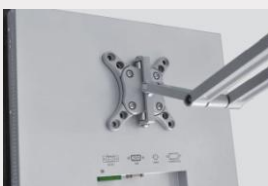
Using precision resistive touch screen



Rugged steel structure



Phoenix terminal using fastening type power connector



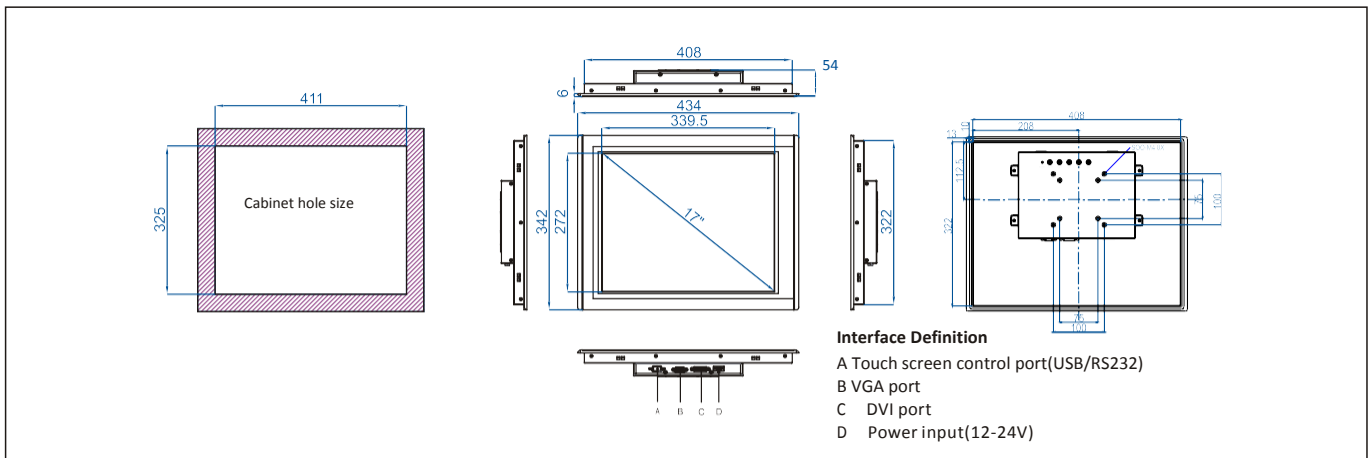
Supports VESA wall mount



OSD control buttons on the rear panel

Institutional	
Front Panel	Magnesium alloy front panel IP65 degree of protection, steel-type box structure
Mounting	Embedded panel and VESA wall mounting
Buttons	The back of the machine is equipped with switches, lights, and OSD control buttons
Signal Input	DVI and VGA
Communication	COM/USB
Power Input	12-24V DC voltage input
Front Color	Silver (plus PET film)
Overall size	434 × 342 × 54mm(W × H × D)
Case Size	408 × 322 × 48mm(W × H × D)
Hole Size	411 × 325 mm(W × H)
Weight	5.06kg
Environmental	
Working tem.	-20~+60℃ Electronic disk
Storage tem.	-30~+80℃
Relative humidity	5~95%@40℃ No condensation
Vibration	5~500Hz,1.5G,0.15mm Peak to peak
Shock	10G/peak 11ms sec

LCD	
Size / Type	17-inch TFT LCD
Resolution	1280 × 1024
Maximum color	16.7M
Display area	338 × 270mm
Reaction time	8ms
Backlit	LED
Backlit MTBF	30,000 hours
Lattice	0.297 × 0.297
Brightness	250cd/m ²
Contrast ratio	1000: 1
Max view angle	(H)140/(V)130
Touch screen	
Size / Type	17-inch five-wire analog resistive
Resolution	4096 × 4096
Response time	<5ms
Surface hardness 3H	
Click life	250g efforts, 35 million times
Stroke life	250g efforts, 5 million times
Transmittance	More than 81%



Ordering Information

PANEL5000-A172-TS	17-inch TFT LCD/Resolution 1280×1024/VGA/DVI/Resistive Touch Screen/ COM/ DC 12-24V/ adapter
PANEL5000-A172-TU	17-inch TFT LCD/Resolution 1280×1024/VGA/DVI/Resistive Touch Screen/ USB/ DC 12-24V/ adapter
PANEL5000-A172-C	17-inch TFT LCD/Resolution 1280×1024/VGA/DVI/Glass/ DC 12-24V/ adapter

Packing List:

Hook: 8*Hooks apply to Thickness=1mm~1.2mm
Terminal : 2pin Phoenix terminal
VGA Cable: 1.8M
USB Cable : 1.8M

Optional Equipment:

Adapter: 12V/3.33A,40W 2pin Phoenix terminal
Chinese Standard Power Line: 1.8M/3M/5M
VGA Cable: 3M/5M
USB Cable: 3M/5M
DVI Cable: 1.8M/3M/5M