



# G-WIN Slim IP65 P-CAP Display

W07L100-GSO1

W10L100-GSH1(HB)

R10L100-GST2

R12L100-GSM2(HB)

R15L600-GSC3(HB)



## Quick Start Guide

V1.1

For more information on this and other Winmate products, please visit our website at:  
[www.winmate.com](http://www.winmate.com)

Document Part Number: 91521110100Q

Please read these instructions carefully before using this product, and save this manual for future use

---

# Contents

<b>1 INTRODUCTION</b>	<b>- 8 -</b>
1.1 Features	- 8 -
1.2 Package Contents	- 9 -
1.3 Description of Parts	- 10 -
1.4 Physical Buttons and LED Indicators	- 15 -
<b>2 GETTING STARTED</b>	<b>- 17 -</b>
2.1 Turning On Your Device	- 17 -
2.2 Turning Off Your Device	- 18 -
<b>3 INSTALLATION</b>	<b>- 19 -</b>
3.1 Wiring Requirements	- 19 -
3.2 Connecting to Other Devices	- 20 -
3.3 Connector Description	- 21 -
3.3.1 Power Input Connector	- 21 -
3.3.2 AC Adapter (For 7" Display)	- 22 -
3.3.3 VGA Connector	- 23 -
3.3.4 USB for Touch Connector	- 24 -
<b>4 Mounting</b>	<b>- 25 -</b>
4.1 VESA Mounting	- 25 -
4.2 Panel Mounting	- 26 -
<b>5 SPECIFICATIONS</b>	<b>- 27 -</b>
<b>APPENDIX</b>	<b>- 29 -</b>
Appendix A: Cleaning the Monitor	- 29 -
Appendix B: Available Input Signals	- 30 -

## FCC Statement

This device complies with part 15 FCC rules.



Operation is subject to the following two conditions:

- This device may not cause harmful interference.
- This device must accept any interference received including interference that may cause undesired operation.

This equipment has been tested and found to comply with the limits for a class "B" digital device, pursuant to part 15 of the FCC rules. These limits are designed to provide reasonable protection against harmful interference when the equipment is operated in a commercial environment. This equipment generates, uses, and can radiate radio frequency energy and, if not installed and used in accordance with the instruction manual, may cause harmful interference to radio communications. Operation of this equipment in a residential area is likely to cause harmful interference in which case the user will be required to correct the interference at his own expense.

---

## European Union



### **Electromagnetic Compatibility Directive (2014/30/EU)**

- EN55024: 2010/ A1: 2015
  - IEC61000-4-2: 2009
  - IEC61000-4-3: 2006+A1: 2007+A2: 2010
  - IEC61000-4-4: 2012
  - IEC61000-4-5: 2014
  - IEC61000-4-6: 2014
  - IEC61000-4-8: 2010
  - IEC61000-4-11: 2004
- EN55032: 2012/AC:2013
- EN61000-3-2:2014
- EN61000-3-3:2013

### **Low Voltage Directive (2014/35/EU)**

- EN 60950-1:2006/A11:2009/A1:2010/A12:2011/  
A2:2013

This equipment is in conformity with the requirement of the following EU legislations and harmonized standards. Product also complies with the Council directions.

## **Copyright Notice**

No part of this document may be reproduced, copied, translated, or transmitted in any form or by any means, electronic or mechanical, for any purpose, without the prior written permission of the original manufacturer.

## **Trademark Acknowledgement**

Brand and product names are trademarks or registered trademarks of their respective owners.

## **Disclaimer**

Winmate Inc. reserve the right to make changes, without notice, to any product, including circuits and/or software described or contained in this manual in order to improve design and/or performance. We assume no responsibility or liability for the use of the described product(s) conveys no license or title under any patent, copyright, or masks work rights to these products, and make no representations or warranties that these products are free from patent, copyright, or mask work right infringement, unless otherwise specified. Applications that are described in this manual are for illustration purposes only. We make no representation or guarantee that such application will be suitable for the specified use without further testing or modification.

## **Warranty**

Winmate Inc. warranty guarantees that each of its products will be free from material and workmanship defects for a period of one year from the invoice date. If the customer discovers a defect, we will, at his/her option, repair or replace the defective product at no charge to the customer, provide it is returned during the warranty period of one year, with transportation charges prepaid. The returned product must be properly packaged in its original packaging to obtain warranty service. If the serial number and the product shipping data differ by over 30 days, the in-warranty service will be made according to the shipping date. In the serial numbers the third and fourth two digits give the year of manufacture, and the fifth digit means the month (e. g., with A for October, B for November and C for December).

For example, the serial number 1W16Axxxxxxx means October of year 2016.

---

## **Customer Service**

We provide a service guide for any problem by the following steps: First, visit the website of our distributor to find the update information about the product. Second, contact with your distributor, sales representative, or our customer service center for technical support if you need additional assistance.

You may need the following information ready before you call:

- Product serial number
- Software (OS, version, application software, etc.)
- Description of complete problem
- The exact wording of any error messages

In addition, free technical support is available from our engineers every business day. We are always ready to give advice on application requirements or specific information on the installation and operation of any of our products.

## Safety Information

### **WARNING! / AVERTISSEMENT!**



Always completely disconnect the power cord from your chassis whenever you work with the hardware. Do not make connections while the power is on. Sensitive electronic components can be damaged by sudden power surges. Only experienced electronics personnel should open the PC chassis.

Toujours débrancher le cordon d'alimentation du chassis lorsque vous travaillez sur celui-ci. Ne pas brancher de connexions lorsque l'alimentation est présente. Des composants électroniques sensibles peuvent être endommagés par des sauts d'alimentation. Seulement du personnel expérimenté devrait ouvrir ces chassis.

### **CAUTION/ATTENTION**



Always ground yourself to remove any static charge before touching the CPU card. Modern electronic devices are very sensitive to static electric charges. As a safety precaution, use a grounding wrist strap at all times. Place all electronic components in a static-dissipative surface or static-shielded bag when they are not in the chassis.

Toujours vérifier votre mise à la terre afin d'éliminer toute charge statique avant de toucher la carte CPU. Les équipements électroniques modernes sont très sensibles aux décharges d'électricité statique. Toujours utiliser un bracelet de mise à la terre comme précaution. Placer toutes les composantes électroniques sur une surface conçue pour dissiper les charge, ou dans un sac anti-statique lorsqu'elles ne sont pas dans le chassis.

---

# 1 INTRODUCTION

Congratulations on purchasing Winmate® G-WIN Slim IP65 P-CAP Display. The elegantly designed, yet rugged, industrial grade G-WIN S65 series is designed for usability with brilliant true-flat screens, which offer superior readability and Projected Capacitive Multi-Touch (P-CAP) technology, available in 7", 10.1", 10.4", 12.1" and 15" options.

G-WIN Slim IP65 Display features Projected Capacitive Multi-Touch (P-CAP). These models are full IP 65 dustproof and waterproof and have M12 connectors.

## 1.1 Features

Winmate® G-WIN Slim IP65 with P-CAP Display features:

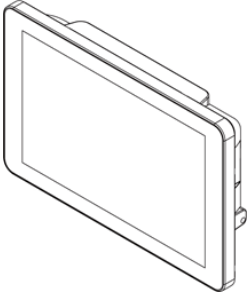

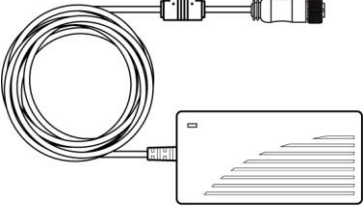
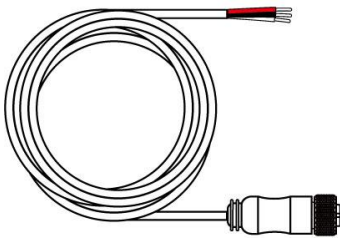
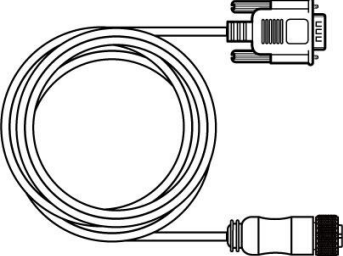
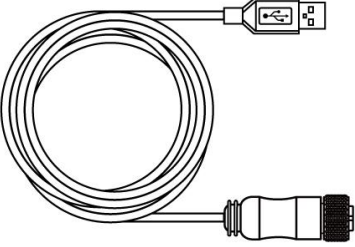
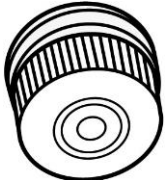
- 7", 10.1", 10.4", 12.1" and 15" LCD
- Projected Capacitive Multi-Touch (P-CAP)
- Full IP65 rating
- Wide operating temperature -10°C~55°C
- M12 connectors: 12V DC, 1 x VGA, 1 x USB for Touch



## 1.2 Package Contents

Carefully remove the box and unpack your device. Please check if all the items listed below are inside your package. If any of these items are missing or damaged contact us immediately.

Standard factory shipment list:

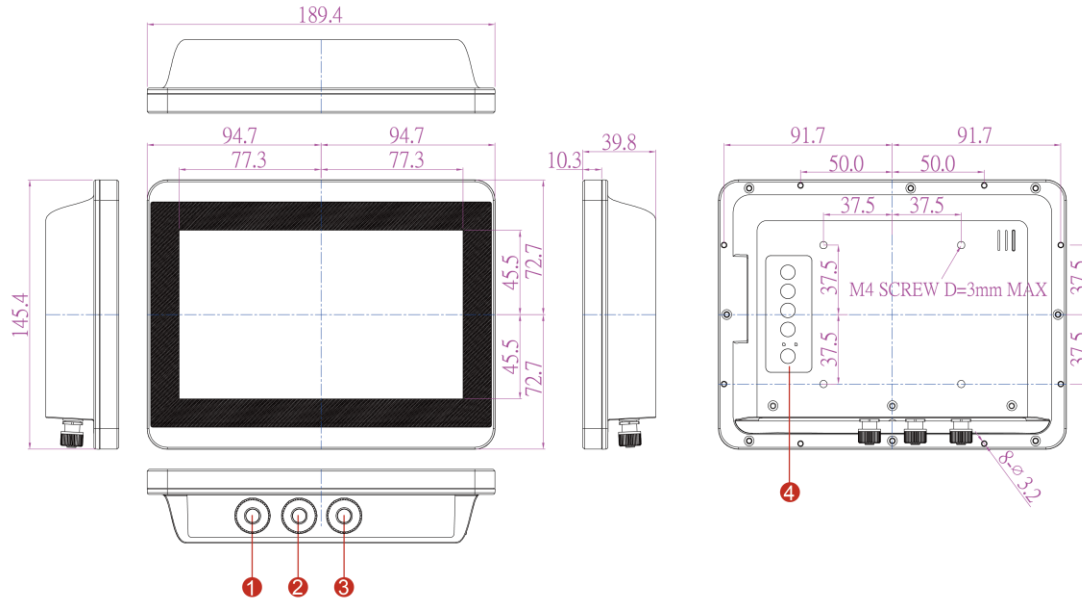
		
<b>Display</b>	<b>Quick Start Guide (Hardcopy)</b>	<b>AC Adapter (For 7" Display only)</b>
Varies by product specifications	91521110100Q	50W: 90PO12050006
		
<b>M12 Power Cable (Not supplied with 7" Display)</b>	<b>VGA Cable</b>	<b>USB for Touch Cable</b>
94J003L020K8	9441150120Q0	94E0127040K0
		
<b>I/O Protective Cap x 3</b>		
60Y031131000		

# 1.3 Description of Parts

## W07L100-GSO1

Unit: mm

Dimensions: 189.4 x 145.4 x 39.8

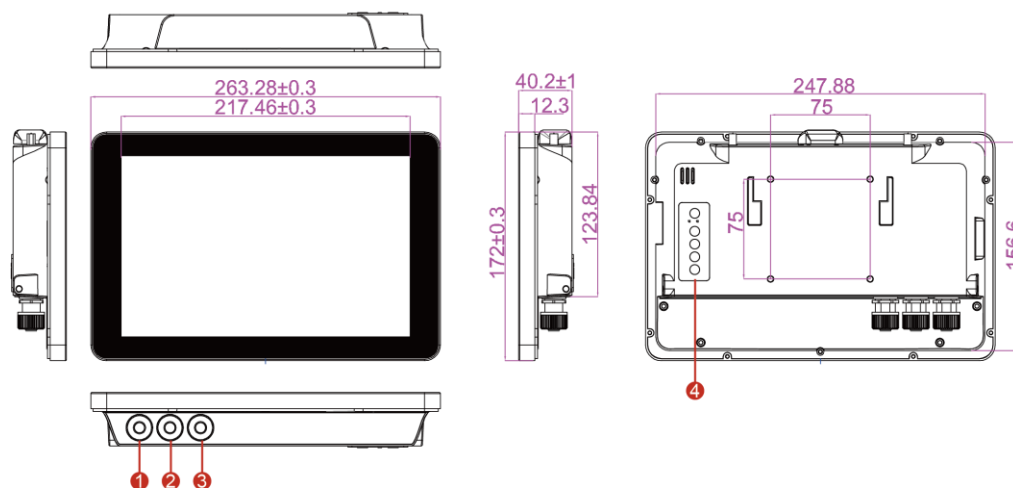


No	Description	No	Description
①	12V DC (M12 Type)	③	USB for Touch (M12 Type) <i>*Only for touch</i>
②	VGA (M12 Type)	④	OSD Control Panel

## W10L100-GSH1(HB)

Unit: mm

Dimensions: 263.28 x 173.6 x 40.2

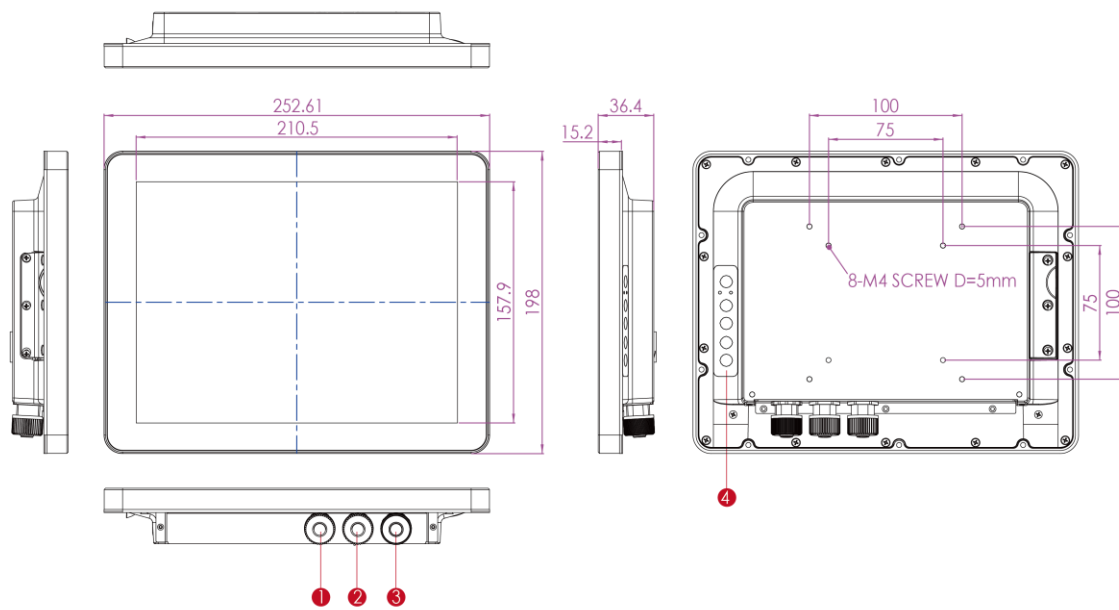


No	Description	No	Description
①	12V DC (M12 Type)	③	USB for Touch (M12 Type) <i>*Only for touch</i>
②	VGA (M12 Type)	④	OSD Control Panel

# R10L100-GST2

Unit: mm

Dimensions: 252.61 x 198 x 36.4

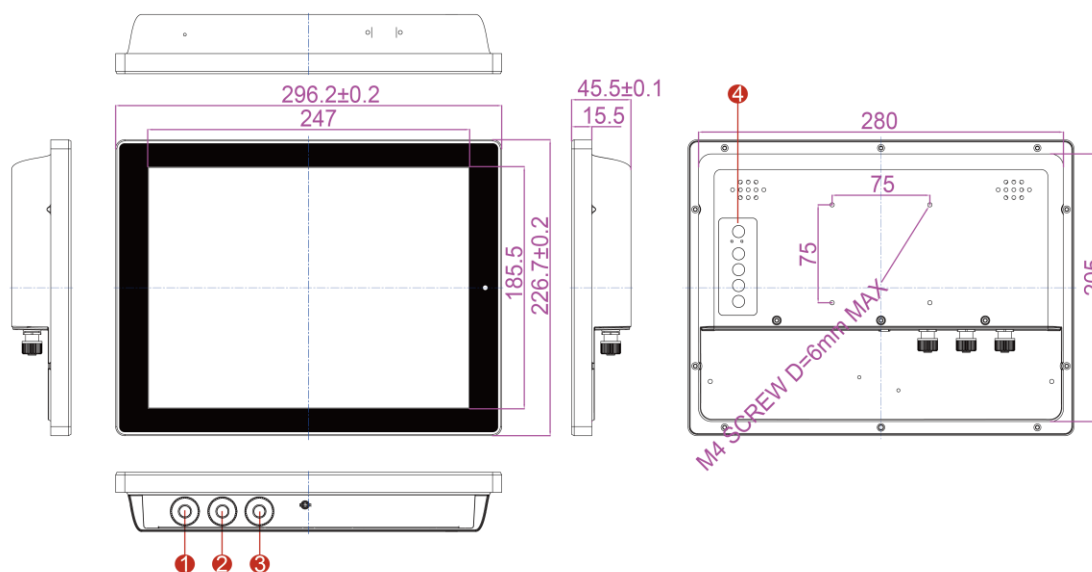


No	Description	No	Description
①	12V DC (M12 Type)	③	USB for Touch (M12 Type) <i>*Only for touch</i>
②	VGA (M12 Type)	④	OSD Control Panel

## R12L100-GSM2(HB)

Unit: mm

Dimensions: 296.2 x 226.7 x 45.5

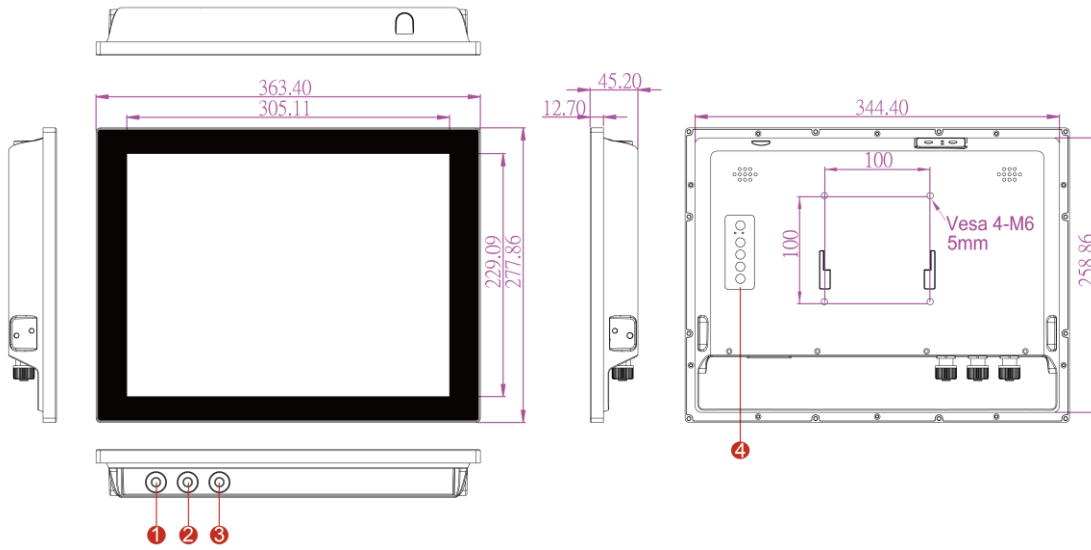


No	Description	No	Description
①	12V DC (M12 Type)	③	USB for Touch (M12 Type) *Only for touch
②	VGA (M12 Type)	④	OSD Control Panel

# R15L600-GSC3(HB)

Unit: mm

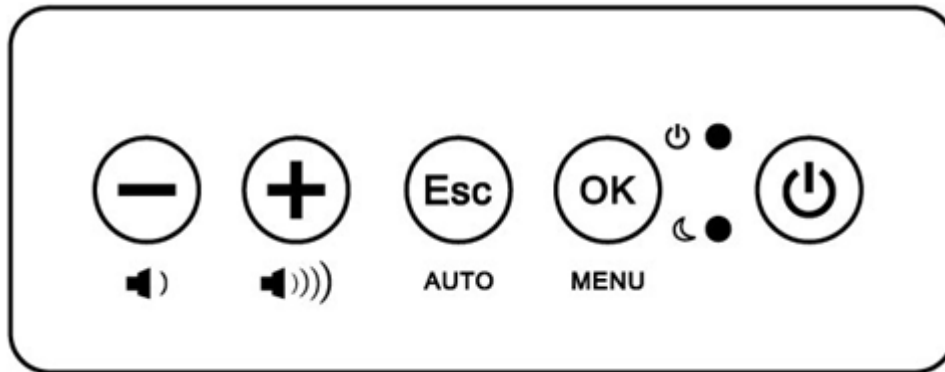
Dimensions: 363.4 x 277.86 x 45.2



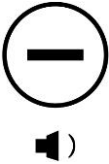




No	Description	No	Description
①	12V DC (M12 Type)	③	USB for Touch (M12 Type) <i>*Only for touch</i>
②	VGA (M12 Type)	④	OSD Control Panel

## 1.4 Physical Buttons and LED Indicators

Physical buttons and LED indicators (OSD Control Panel) located on the rear side of the Display.





### *Physical Buttons*

Icon	Button	Description
	DOWN/ VOLUME DOWN	Press to lower down the volume
	UP/ VOLUME UP	Press to increase the volume
	ESC/ AUTO	Press to exit the menu
	OK/ MENU	Press to confirm the action or to come back to the main menu
	Power On/ Off	Press to power on or power off the device

---

## LED Indicators

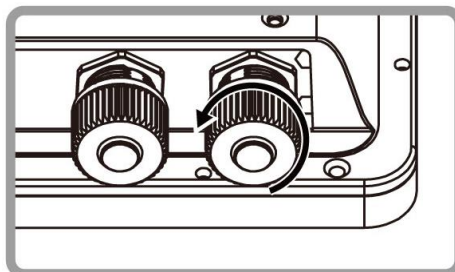
LED Type	Status	Description
	On	Power is on
	Off	Power is off
	Blinking	Storage activity (Data is being read or written)
	Off	System is idle



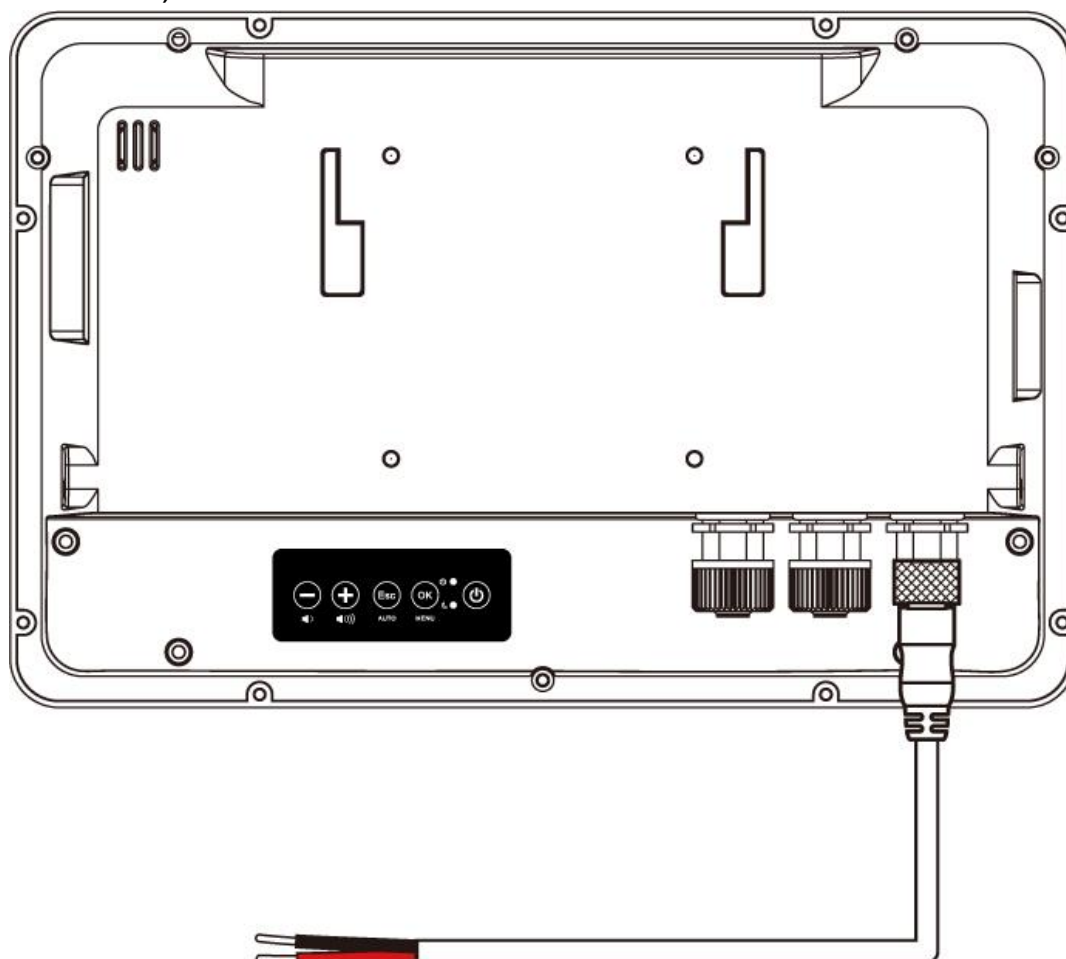
## 2 GETTING STARTED

### 2.1 Turning On Your Device

1. Remove the protective cap of the power connector.



2. Connect power cable to the connector of your device. Make sure the cable fits to the connector, then tighten the O-ring (by turning clockwise) to secure the connection.



3. The device will boot automatically when powered on.

---

## **2.2 Turning Off Your Device**

Disconnect the power cord from the Display to completely turn off the device.

## 3 INSTALLATION

### 3.1 Wiring Requirements

The following common safety precautions should be observed before installing any electronic device:

- Strive to use separate, non-intersecting paths to route power and networking wires. If power wiring and device wiring paths must cross make sure the wires are perpendicular at the intersection point.
- Keep the wires separated according to interface. The rule of thumb is that wiring that shares similar electrical characteristics may be bundled together.
- Do not bundle input wiring with output wiring. Keep them separate.
- When necessary, it is strongly advised that you label wiring to all devices in the system.



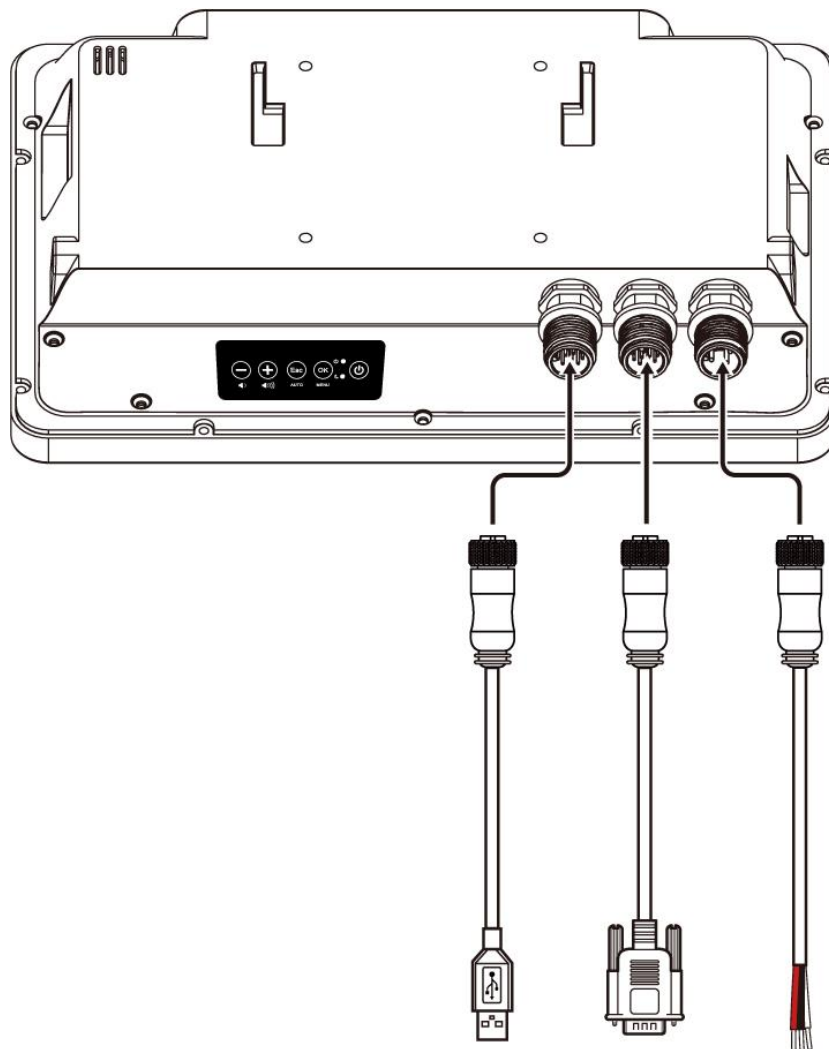
#### CAUTION

- Do not run signal or communication wiring and power wiring in the same conduit. To avoid interference, wires with different signal characteristics (i.e., different interfaces) should be routed separately.
- Be sure to disconnect the power cord before installing and/or wiring your device.
- Verify the maximum possible current for each wire gauge, especially for the power cords. Observe all electrical codes dictating the maximum current allowable for each wire gauge.
- If the current goes above the maximum ratings, the wiring could overheat, causing serious damage to your equipment.
- Be careful when handling the unit. When the unit is plugged in, the internal components generate a lot of heat which may leave the outer casing too hot to touch.

---

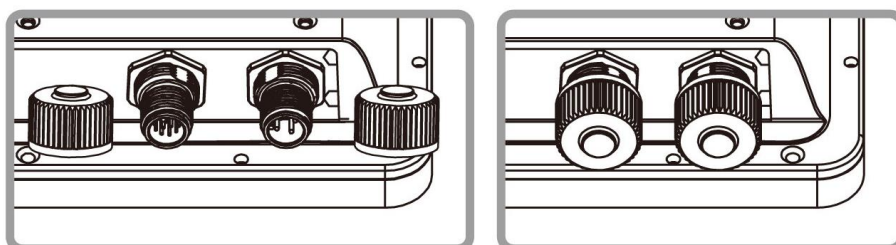
## 3.2 Connecting to Other Devices

This Display comes with various interfaces located on the bottom panel. All of these connectors have been shipped with protective caps. To ensure the waterproof function can work properly, make sure that the protective caps and have been securely tightened whenever the connectors are not used.



### IMPORTANT

Please note that when reinstalling the protective cap, it must be fully tightened to ensure the unit is properly sealed to meet the IP65 enclosure rating.

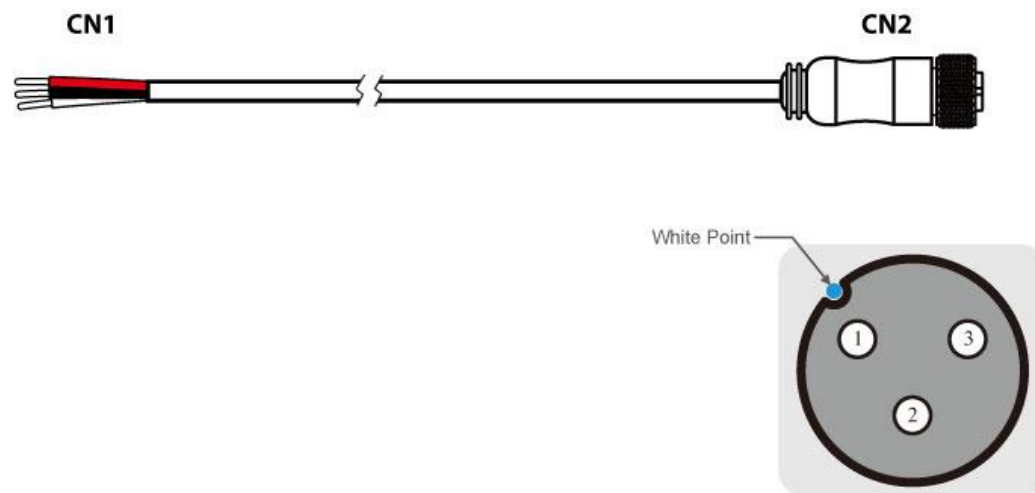


### 3.3 Connector Description

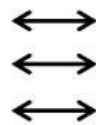
The Display features M12 type connectors with protective cap and has full IP65 rating.

#### 3.3.1 Power Input Connector

Display has M12 type 3 pin male power input connector. Use IP65 power cable to connect the Display to the source of power.



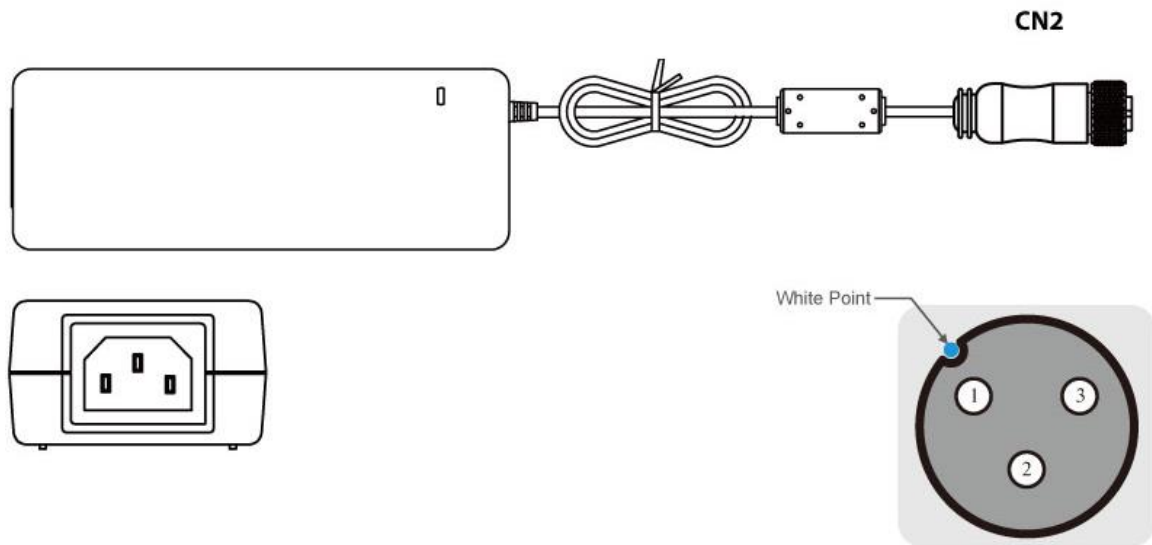
Pin No.	Symbols	Color
CN1-1	VCC+	Red
CN1-2	GND	Black
CN1-3	VCC-	White



Pin No.	Symbols	Color
CN2-1	VCC+	Red
CN2-2	GND	Black
CN2-3	VCC-	White

### 3.3.2 AC Adapter (For 7" Display)

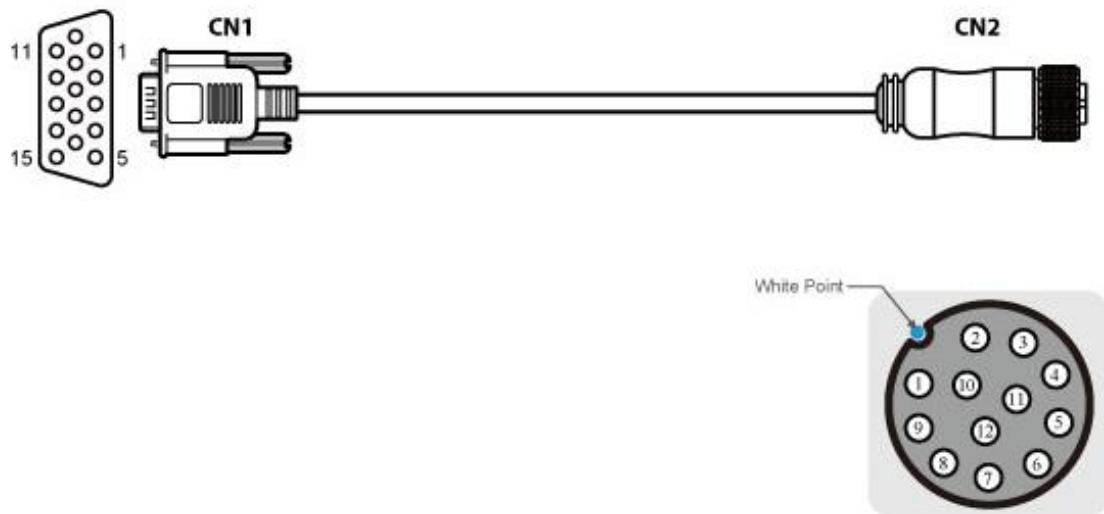
Use IP65 AC Adapter cable to connect the 7" Display to the source of power.



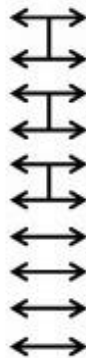
Pin No.	Symbols	Color		Pin No.	Symbols	Color
CN1-1	VIN -	NO ASSIGN	↔	CN2-1	VCC+	Flow Adapter
CN1-2	VIN -		↔	CN2-2	GND	Flow Adapter
CN1-2	VIN -	NO ASSIGN	↔	CN2-3	VCC-	Flow Adapter

### 3.3.3 VGA Connector

Display has M12 type to 10 pin male VGA connector. Use IP65 serial cable to connect the Display to external display.



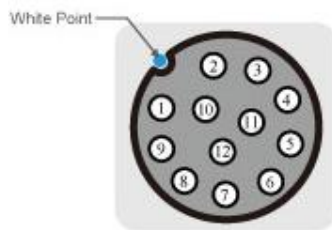
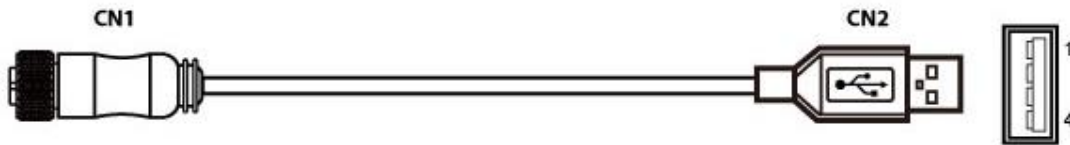
Pin No.	Symbols	Color
CN1-1	R	Red
CN1-6	R-GND	Black
CN1-5	G	Green
CN1-7	G-GND	Black
CN1-3	B	Blue
CN1-8	B-GND	Black
CN1-12	SDA	Yellow
CN1-13	HS	Orange
CN1-14	VS	White
CN1-15	SCL	Brown



Pin No.	Symbols	Color	
CN2-1	R	Red	coaxial
CN2-2	R-GND	Black	
CN2-3	G	Green	coaxial
CN2-4	G-GND	Black	
CN2-5	B	Blue	coaxial
CN2-6	B-GND	Black	
CN2-7	SDA	Yellow	
CN2-8	HS	Orange	
CN2-9	VS	White	
CN2-10	SCL	Brown	

### 3.3.4 USB for Touch Connector

Display has M12 type 12 pin USB A Type male connector for touch.



Pin No.	Symbols	Color		Pin No.	Symbols	Color	
CN1-2	VCC	Red	↔	CN2-1	VCC	Red	} twisted pairs
CN1-3	D-	White	↔	CN2-2	D-	White	
CN1-4	D+	Green	↔	CN2-3	D+	Green	
CN1-5	GND	Black	↔	CN2-4	GND	Black	
CN1-9	GND	Black	↔	CN2 Shell		Black	



## 4 Mounting

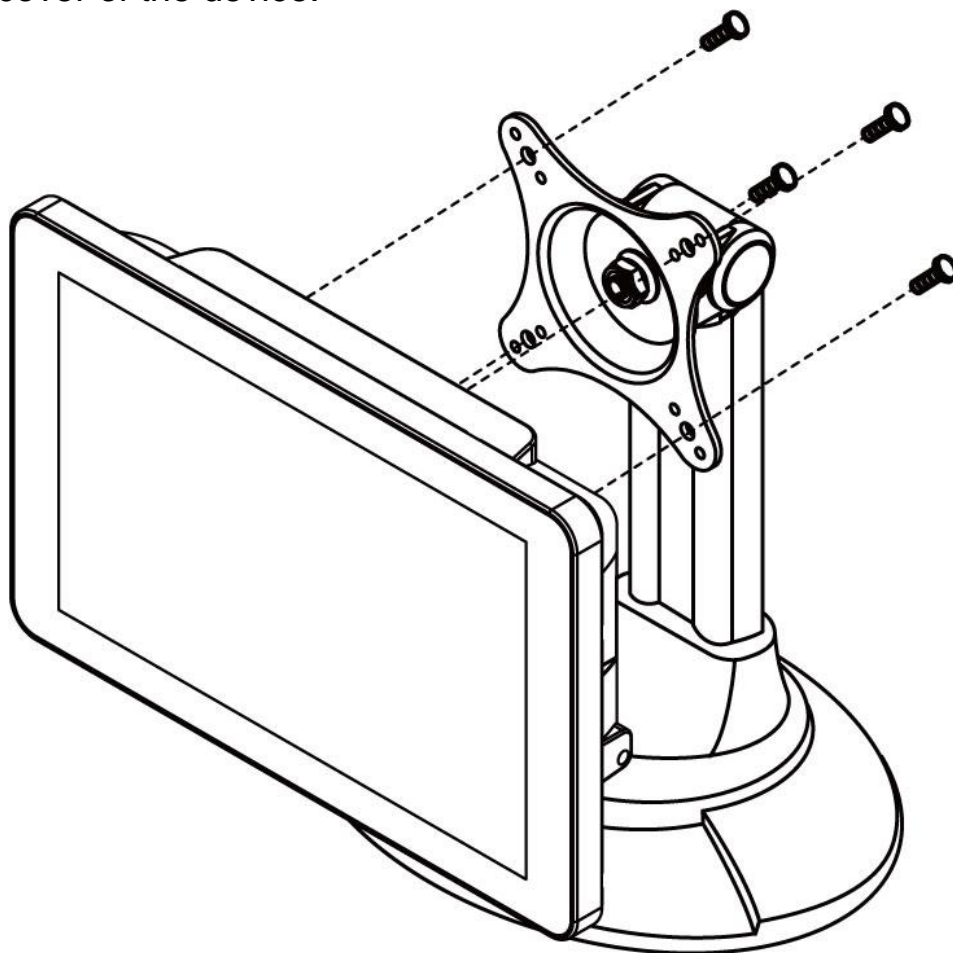
### 4.1 VESA Mounting

This device supports VESA Mounting and provides various types of mounting options to fit any industrial use or vehicle.

Size	VESA Plate
7", 10.1", 10.4", 12.1"	75x75 mm
10.4", 15"	100x100 mm

### Mounting Instruction

Use Philips M4x5 screws to fix the desk stand to VESA holes on the back cover of the device.



*\*The picture is for demonstration purposes only. VESA Mounting accessories are not supplied by Winmate.*

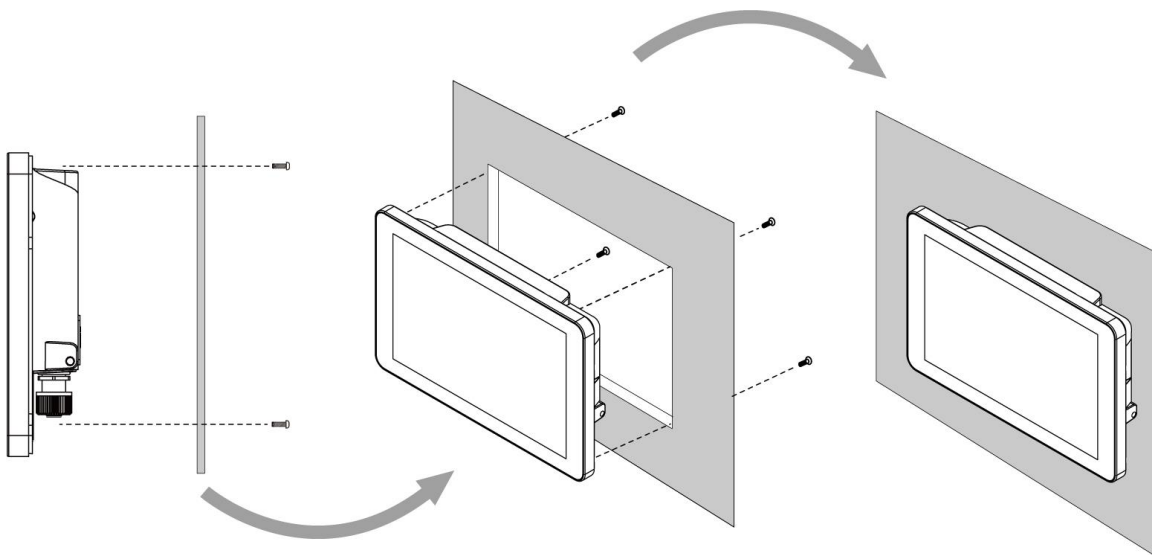
## 4.2 Panel Mounting

Panel Mount mounting solutions is suitable for many applications where Display should be embedded. With this mounting solution flat surface leave no bezel in the front.

Size	Wall Cutout, mm	Screw Hole Diameter, mm
7"	174.4 x 130.4	M4x4
10.1"	249 x 157.6	M4x5
10.4"	227 x 174.5	M4x5
12.1"	286 x 212	M4x5
15"	345.4 x 260	M6x4

### Mounting Instruction:

1. Prepare a fixture for the specific dimensions of the device.
2. Cut a hole on a sub frame or panel according to the cutout dimensions.
3. Install the device properly onto the cutout area of the sub frame or panel with the sides of the front bezel.
4. Fix the device to fixture with eight Phillips screws.



## 5 SPECIFICATIONS

### Hardware Specifications

	Model Name				
	W07L100-GSO1	W10L100-GSH1(HB)	R10L100-GST2	R12L100-GSM2(HB)	R15L600-GSC3(HB)
<b>Display</b>					
Size/Type	7" TFT (Wide)	10.1" TFT (Wide)	10.4"	12.1" TFT	15" TFT
Resolution	1024 x 600	1024 x 600	1024 x 768	1024 x 768	1024 x 768
Brightness	1000 nits	420 nits (Optional 800 nits)	350 nits (Optional 1000 nits)	500 nits (Optional 1000 nits)	250 nits (Optional 1000 nits)
Contrast Ratio	700:1 (typ.)	500:1 (typ.)	1200:1 (typ.)	700:1 (typ.)	700:1 (typ.)
Viewing Angle	-75~75(H); -70~75(V)	-70~70(H); -60~50(V)	-88~88(H); -88~88(V)	-80~80(H); -70~70(V)	-80~80(H); -70~70(V)
Active Display Area, mm	153.6(H) x 90(V)	220.416(H) x 129.15(V)	210.4(H) x 157.8 (V)	245.76(H)x 184.32(V)	304.1(H) x 228.1(V)
Pixel Pitch, mm	0.15 (H) x 0.15 (V)	0.2152(H)x 0.2152 (V)	0.205 (H) x 0.205 (V)	0.240 9H) x 0.20(V)	0.297 (H) x 0.297 (V)
Max Colors	262K (6bit)	262K (6bit)	16.2M	16.2M	16.2M (8bits)
Touch	Projected Capacitive Multi-Touch (P-CAP) (USB interface) with optional protection glass				
<b>Input/ Output</b>					
Power	Power input connector (M12 Type)				
Input Ports	1 x VGA (M12 Type), 1 x USB for Touch (M12 Type)				
<b>Power Specifications</b>					
Power Input	12V DC	9-36V DC			
Power Consumption	10W	15W	15W	18W	20W

Power Management	VESA DPMS Compliant
Plug & Play	Yes
<b>Mechanical Specifications</b>	
Mounting	VESA Mount, Panel Mount
<b>Environment Considerations</b>	
Operating Temperature	-15°C to +55°C
Operating Humidity	30% to 90% (non-condensing)
IP Rating	Full IP65
Shock Operating	30g for 18 ms, 300 $m/s^2$
Vibration Operating	1.60/1.96/2.18 g rms for XYZ/ 5-500Hz
<b>Standards and Certification</b>	
Safety	CE, FCC
Shock, Vibration	Compliant with MIL-STD-810F/G for shock/ vibration

---

# APPENDIX

## Appendix A: Cleaning the Monitor

### Before cleaning:

- Make sure the device is turned off.
- Disconnect the power cable from any AC outlet.

### When cleaning:

- Never spray or pour any liquid directly on the screen or case.
- Wipe the screen with a clean, soft, lint-free cloth. This removes dust and other particles.
- The display area is highly prone to scratching. Do not use ketene type material (ex. Acetone), Ethyl alcohol, toluene, ethyl acid or Methyl chloride to clear the panel. It may permanently damage the panel and void the warranty.
- If it is still not clean enough, apply a small amount of non-ammonia, non-alcohol based glass cleaner onto a clean, soft, lint-free cloth, and wipe the screen.
- Don not use water or oil directly on the display screen. If droplets are allowed to drop on the screen, permanent staining or discoloration may occur.

---

## Appendix B: Available Input Signals

The choice of supported modes depends on the monitor native resolution. Refer to the table below for more information about available input signals.

*Frequency Table:*

Signal name	Vertical Frequency (Hz)	DVI	VGA	HDMI 1.4
640 x 480	60	✓	✓	✓
	72	✓	✓	✓
	75	✓	✓	✓
480P	60	✓	✓	✓
800 x 600	60	✓	✓	✓
	72	✓	✓	✓
	75	✓	✓	✓
1024 x 768	60	✓	✓	✓
	72	✓	✓	✓
	75	✓	✓	✓
720P	60	✓	✓	✓
1280 x 1024	60	✓	✓	✓
	72	✓	✓	✓
	75	✓	✓	✓
1600 x 1200	60	✓	✓	✓
1920 x 1080	60	✓	✓	✓
1920 x 1200	60	✓	✓	✓

For more information about available input signals and OSD navigation, please refer to R-Series AD Board Manual included in the package.

You can also download R - Series AD Board Manual from Winmate Download Center.

Click [here](#) to download R - Series AD Board Manual.





---

**Winmate Inc.**

9F, No.111-6, Shing-De Rd., San-Chung District,  
New Taipei City 24158, Taiwan, R.O.C

Tel: 886-2-8511-0288

Fax: 886-2-8511-0211

Email: [sales@winmate.com.tw](mailto:sales@winmate.com.tw)

Official website: [www.winmate.com](http://www.winmate.com)

---