



Embedded Automation Controller BOX

USER MANUAL

Version: 1.4

I330EAC-201	Intel 945GME/Core 2 Duo with 4 Isolated Serial Port Controller
I370EAC-201	Intel 945GME/Core 2 Duo with 2 Isolated Serial Port Controller
I530EAC-201	Intel 855GME/Pentium M with 4 Isolated Serial Port Controller
I570EAC-201	Intel 855GME/Pentium M with 2 Isolated Serial Port Controller
I330EAC-ID3	Intel NM10 / Atom N2800 with 3 Isolated Serial Port Controller
I330EAC-IV3	Intel HM76 / core i7-3555LE with 3 Isolated Serial Port Controller
IS81EAC-201	Intel QM67 / core i7-2655LE with Isolated 2 Serial Port Controller

REVISION HISTORY

REVISION	AUTHOR	DATE	DESCRIPTION
1.0	Shawn Kuo	Sep. 10, 2008	First version release
1.1	Shawn Kuo	Dec. 11, 2008	Revised Format and Model Name description
1.2	Sarah Su	Aug. 1, 2009	Revised Label description
1.3	Ethan Wang	May 13, 2010	Point out DNV approval mounting method.
1.4	Jovi Hsu	March 7, 2013	Add new EAC product I330EAC-ID3 、 I330EAC-IV3 、 IS81EAC-201

Copyright ©2008 Winmate Communication INC.

IMPORTANT SAFETY INSTRUCTIONS

Please read these instructions carefully before using the product and save for later reference.

Follow all warnings and instructions marked on the product.

Unplug this product from the wall outlet before cleaning. Clean the product with a damp soft cloth. Do not use liquid or aerosol cleaners as it may cause permanent damage to the screen.

Do not use this product near water.

Do not place this product on an unstable cart, stand, or table. The product may fall, causing serious damage to the product.

This product should be operated from the type of power indicated on the marking label. If you are not sure of the type of power available, consult your dealer or local power company.

This product is equipped with a 3-wire grounding type plug, a plug having a third (grounding) pin. This plug will only fit into a grounding-type power outlet. This is a safety feature. If you are unable to insert the plug into the outlet, contact your electrician to replace your obsolete outlet. (For AC version only) Do not defeat the purpose of the grounding-type plug.

Do not allow anything to rest on the power cord. Do not locate this product where persons will walk on the cord.

Never push objects of any kind into this product through cabinet slots as they may touch dangerous voltage points or short out parts that could result in a risk of fire or electric shock. Never spill liquid of any kind on the product.

Do not attempt to service this product by yourself, as opening or removing covers may expose you to dangerous voltage points or other risks and will void the warranty. Refer all servicing to qualified service personnel.

Unplug this product from the wall outlet and refer servicing to qualified service personnel under the following conditions:

When the power cord or plug is damaged or frayed.

If liquid has been spilled into the product.

If rainy or water has been exposed to the product.






If the product does not operate normally that the operating instructions are followed. Adjust only those controls that are covered by the operating instructions since improper adjustment of other controls may result in damage and will often require extensive work by a qualified technician to restore the product to normal operation.

If the product has been dropped or the cabinet has been damaged.



If the product exhibited a distinct change in the performance, that indicates a need for service.

Packaging List

This product is shipped with the items list below. Please make sure that all are in your package.

Item	Description	Note
	1 pc of Mainboard User Manual according to what model you ordered.	
	1 pc of EAC System User Manual.	This manual you are reading.
	1 pc CD for System Driver Utility.	
	1 pc of PS/2 Y Cable to connect to Keyboard and Mouse	IX30EAC-201 Series only
	1 pc AC to DC Adapter w/ Standard Power Cord for Power Supply.	By request

Optional Accessories

Item	Description	Note
	1 pc of CD for Recovery CD for Operation System (Windows XP Embedded or XP Professional Embedded).	Optional with Windows XP embedded or XP Professional Embedded pre-installed.
	1 pc of XPe or XPPE Recovery Users Guide. 1 pc of Windows 7 Recovery User Guide.(I330EAC-ID3 、 I330EAC-IV3 、 IS81EAC-201)	

Contents

IMPORTANT SAFETY INSTRUCTIONS	2
CHAPTER 1 GENERAL INFORMATION	6
1.1 FEATURES ABOUT THE EMBEDDED AUTOMATION CONTROLLER..	6
1.2 BASIC CONSTRUCTION OF EAC	8
1.3 CERTIFICATE SERIAL NUMBER LABEL	9
CHAPTER 2 INSTALLATION	12
2.1 GENERAL INSTALLATION.....	12
2.2 INSTALLATION NOTICE.....	15
CHAPTER 3 OPERATION OF THE EAC	23
3.1 INPUT / OUTPUT SIGNALS OVERVIEW	23
3.2 STARTING THE EAC & O/S INSTALLATION.....	27
CHAPTER 4 SERIAL PORTS DRIVER INSTALLATION	29
4.1 INSTALLATION OF DRIVER FOR SERIAL PORTS.....	29
4.2 FINALIZING MINI PCI RS-232 MODULE SETTINGS.....	31

CHAPTER 1

General Information



Chapter 1 General Information

The EAC (Embedded Automation Controller) is high performance, fanless, low power consuming computer. The EAC is designed with wide temperature ranged, Anti-shock, Anti-vibration, isolated RS232/422/485 serial ports, wide voltage range power input acceptable, and anti-corrosion protection. The EAC is born to the demands of maritime applications as navigation, ship automation, surveillance, rugged industry and light military applications.

All product designs follow IEC-60945 Maritime Navigation and Radio-communication Equipment and Systems requirements.

1.1 Features about the Embedded Automation Controller

Here are features of Embedded Automation Controllers:



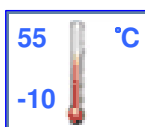
Fanless, Low Power CPU with Versatile Functions

The EAC with Intel Core 2 Duo, Core Duo, Pentium M and Celeron M CPU and 945GME or 855GME Chipset that delivers the most performance per watt available in embedded computing systems. It's a PC-based system with DDR2/DDR SDRAM, VGA controller, multi-COM port interface, and on-board 10/100/1000 Mbps Ethernet. It is a compact design to meet the demanding performance requirements of most applications.



Wide Voltage Input Range and Isolated Power Input

For marine and transportation power source characteristic, our displays use wide voltage range from 9 to 36V input acceptable with isolation resistance at 1.5KV DC. 12V and 24V DC input are also available.



Wide Range Operating Temperature

With excellent design on heat dissipation, the EAC could bear more critical environment condition in temperature. This range is from 55 °C to -10 °C. Based on this feature, the EAC could meet most of the requirement of marine time applications.

Anti-Shock and Vibration

With anti-vibration and shock mechanical design makes our EAC solution enhanced shock and vibration resistance.

GPIO Phoenix Type Connector

The EAC reserved GPIO for general purpose control use of Input or output needs. And the phoenix type connector is easy to plug in with wide range pitch of wires.



Isolated Serial Ports with RS232/422/485

For mostly used connection of peripheral devices, the EAC provides rich serial ports for NEMA compliance device, like GPS, ARPA, Gyro...etc. And for protecting these devices from been surge voltage, isolated serial ports provide 2.5K DC protection by Auto-isolator technology to protect expensive devices.

Customize your products

Base on our well-experience modulated competence, we can do very flexible and tailor-made design fulfilling any of customer's solution. For different panel characteristics, mechanical design, and electronic component, we can make it for you.

Approved EAC

Winmate EAC designs are all followed IEC-60945 Maritime Navigation and Radio- communication Equipment and Systems requirements.

The EAC series consist in different platform of industrial computing. By testing for usability in a ship's wheelhouse during different ambient conditions. All these models can fulfill most of the demands in maritime applications especially for navigation, ship automation and maritime surveillance.

About this Manual

The users' manual introduces basic information about the product, electrical, mechanical and input / output signal specifications. All specifications are subject to change without prior notice due to manufacturing reasons. Check in the "Revision History" in front page of this manual for any update reference.

1.2 Basic Construction of EAC

The state of the art modulated technology can integrate all EAC components flexibly.

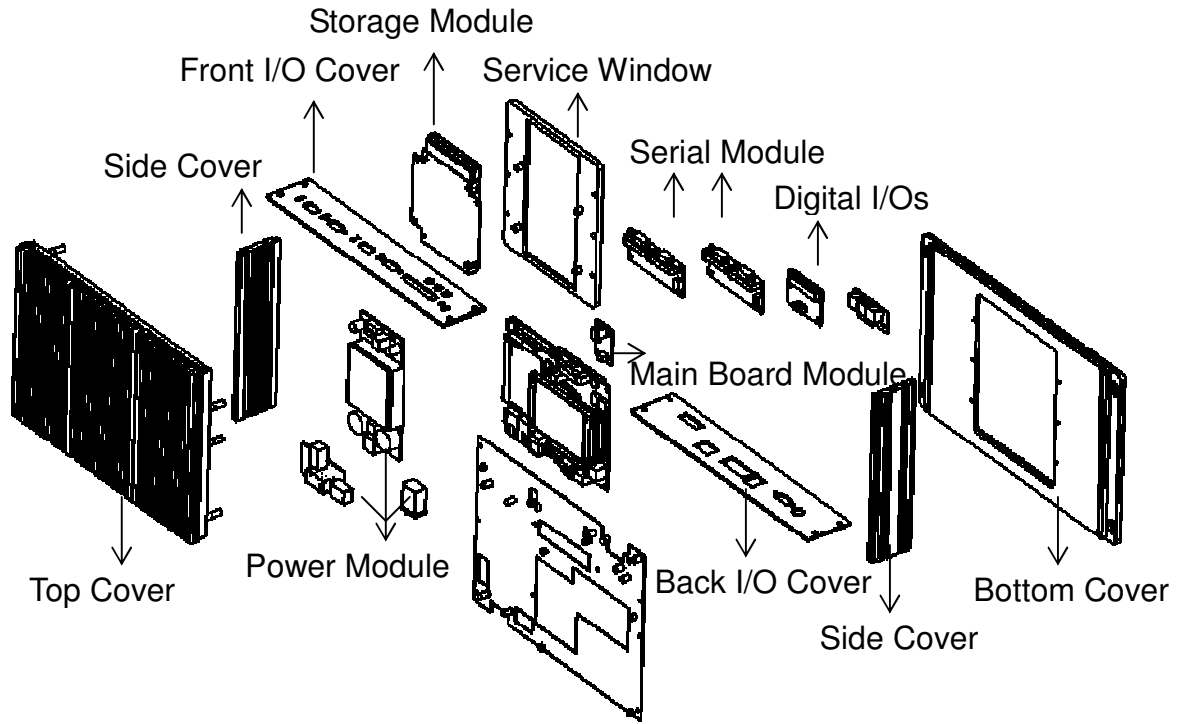
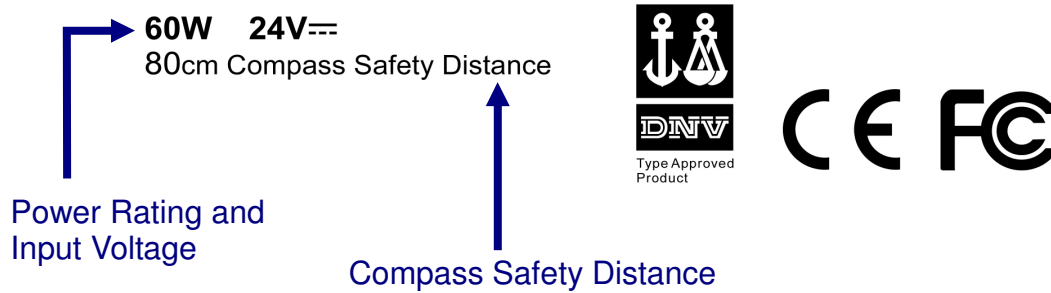
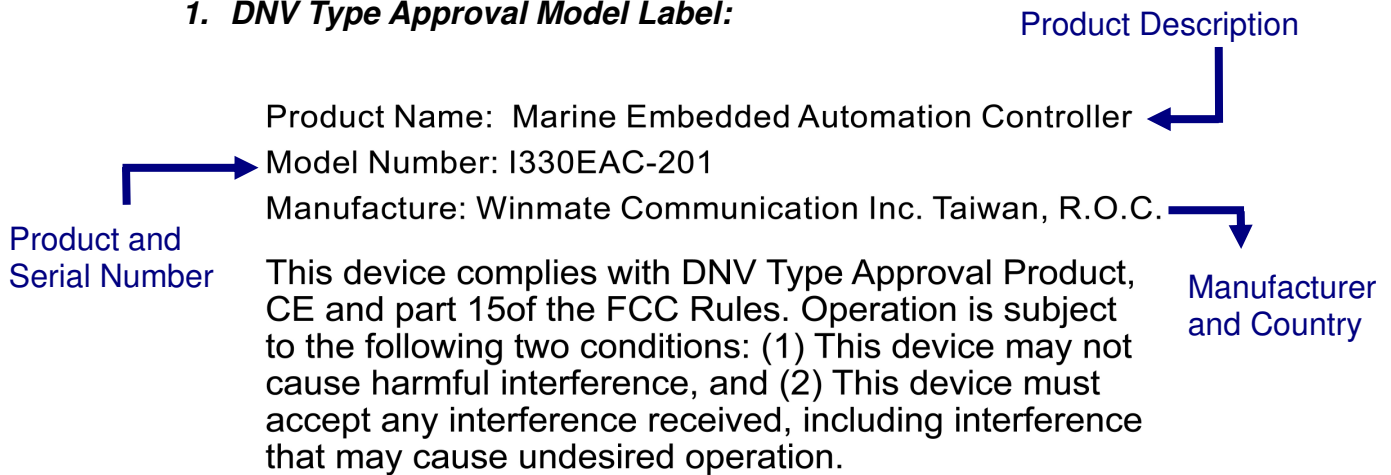


Figure 1.1 Basic Constructions

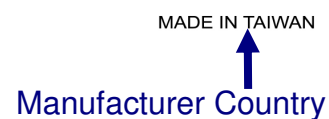
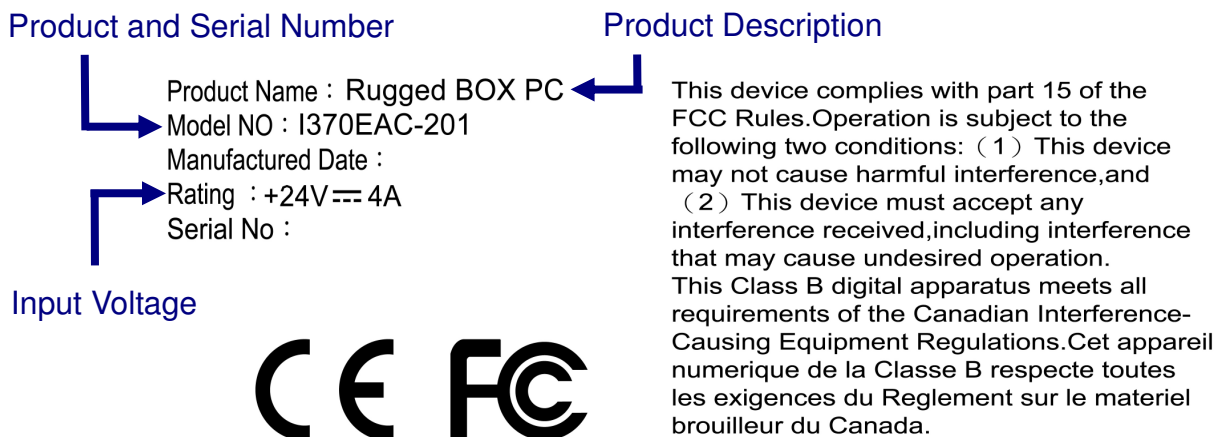
1.3 Certificate Serial Number Label

The certificate label and serial number for EAC products are described as below.

1. DNV Type Approval Model Label:

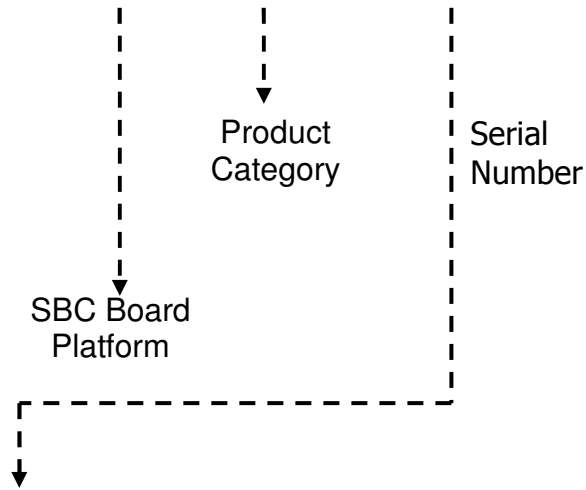


2. No DNV Type Approval Model Label



3. Model Serial Number (For EAC Box PC)

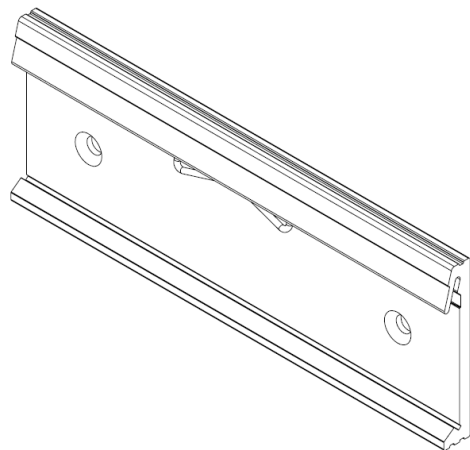
I330 EAC – XXX



Serial Number	Description
201	Std Package
202	w/ display extension
203	w/ PCI extension
204	w/ USB extension
205	w/ COM extension
206	w/ Fan extension
ID3	w/ NM10 chipset
IV3	w/ HM76 chipset

CHAPTER 2

Installation

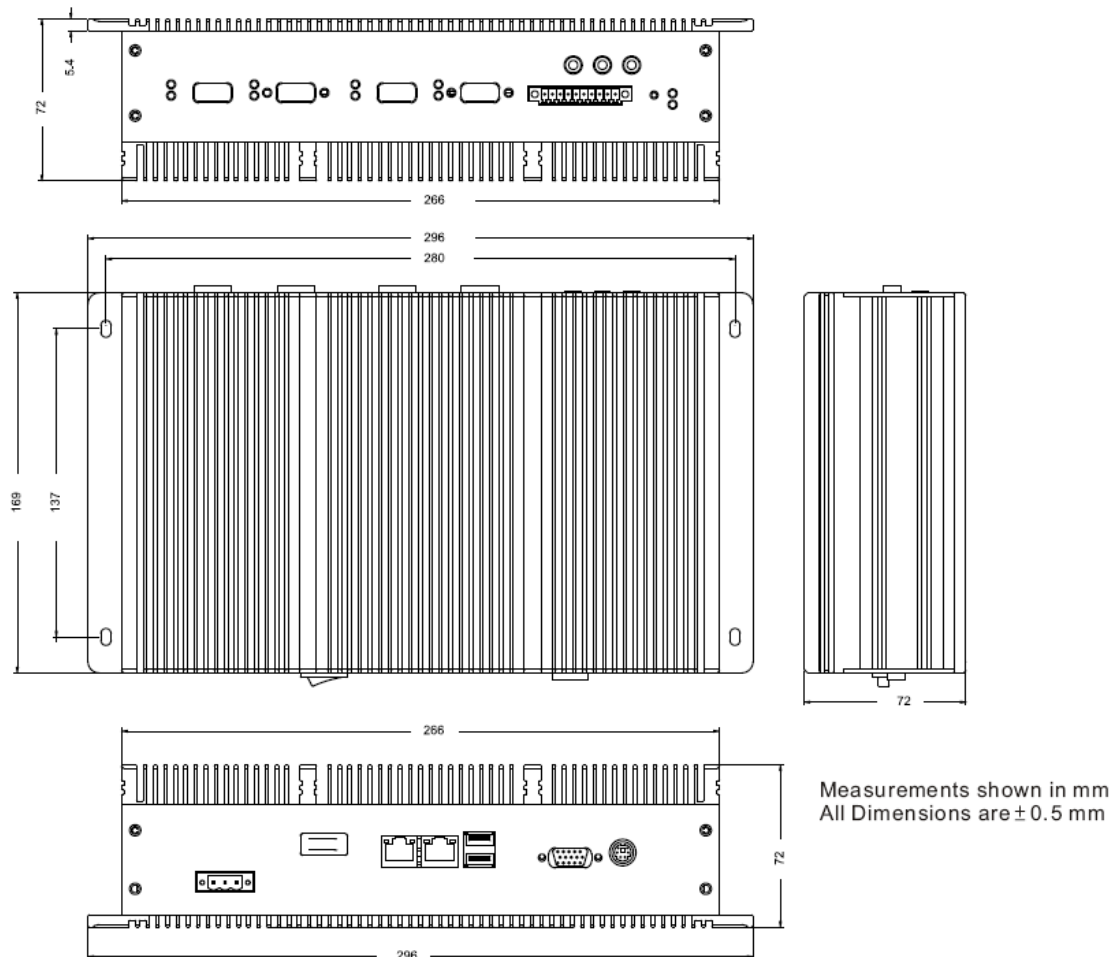


Chapter 2 Installation

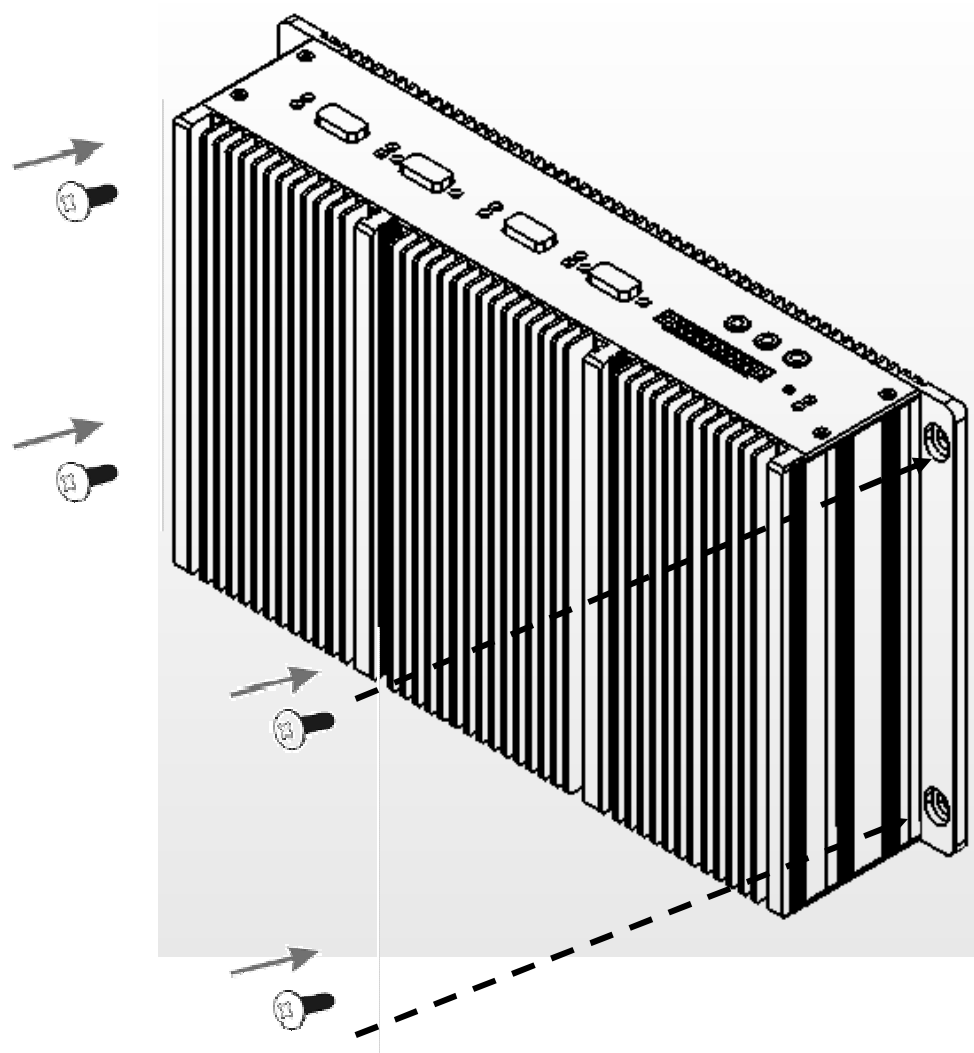
2.1 General installation

The EAC can be applied for several different installation methods, including desktop, wall mount, 100x100 VESA mount with screws only; 75x75 VESA or DIN Rail with bracket. For DIN Rail mount is normally for the industrial fields use, it's easy to follow few steps to fix the display product in customer's fixture.

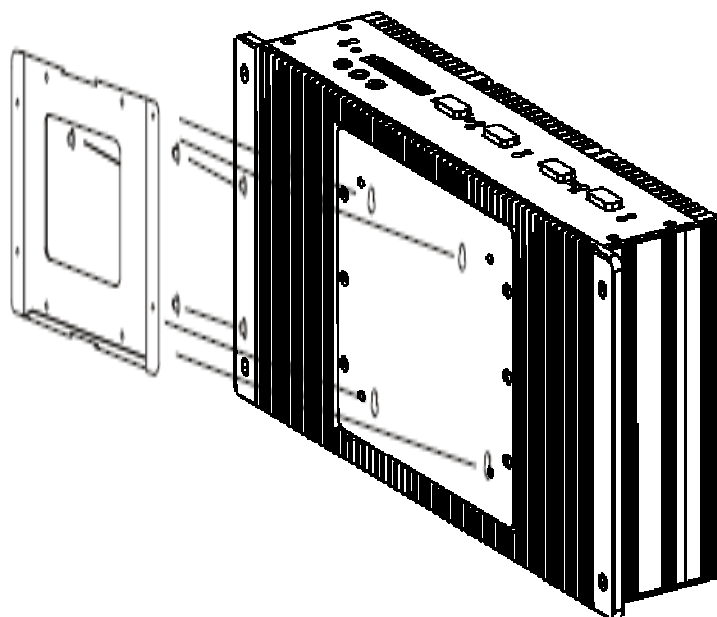
Check the mechanical and mounting concept as below first. The fixture dimension and mounting holes based on drawing.



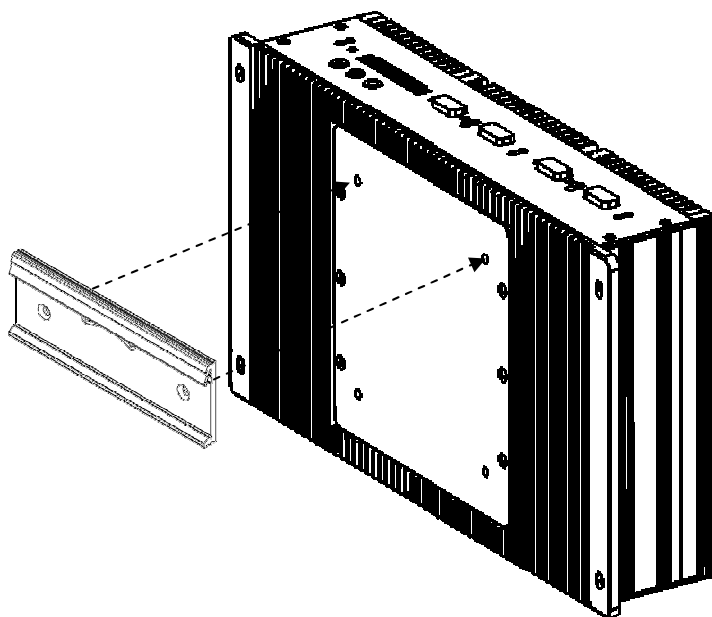
1. Align the EAC to the fixture on the back, and screw by four M4 x 8 mm above bolts with nuts.



2. VESA mount with mounting kit using screw by four M4 x 8 mm above bolts with nuts by special request. (Non-DNV approved)



3. (Optional) Use two M4x 8mm bolts to drill through the DIN Rail mounting bracket into the mounting holes on the rear side of EAC 100x100 VEAS. (Non-DNV approved)

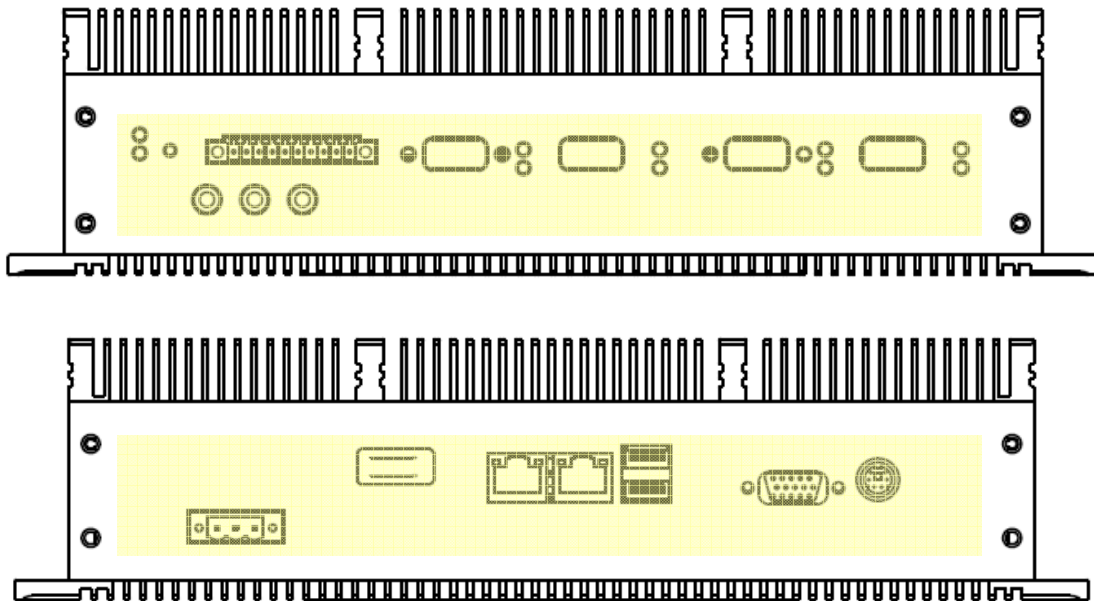


2.2 Installation Notice

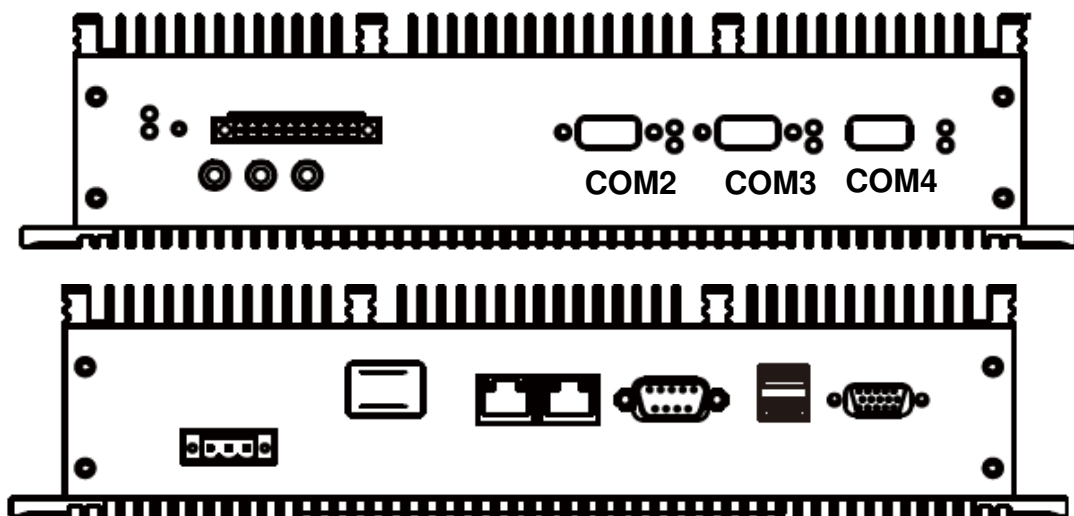
1. Cable Connection Precaution

Make sure to use qualified shielded signal cable to connect to products. These cables including RS232, VGA, LAN, USB, and PS/2 cable should be connected inside the area as marked below. For DC power connection, please make sure the power cable is tightly connected by two screws of the terminal block.

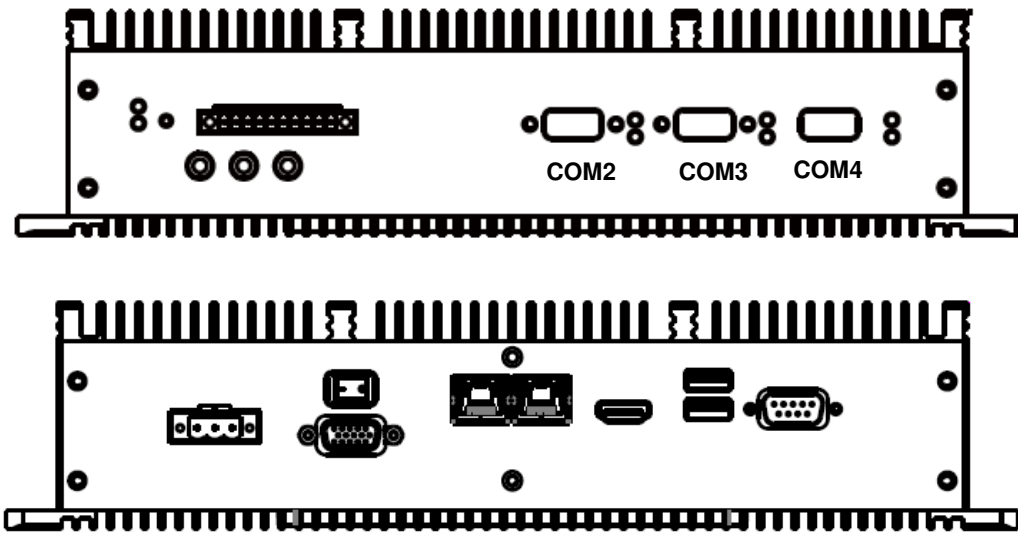
I330EAC-201



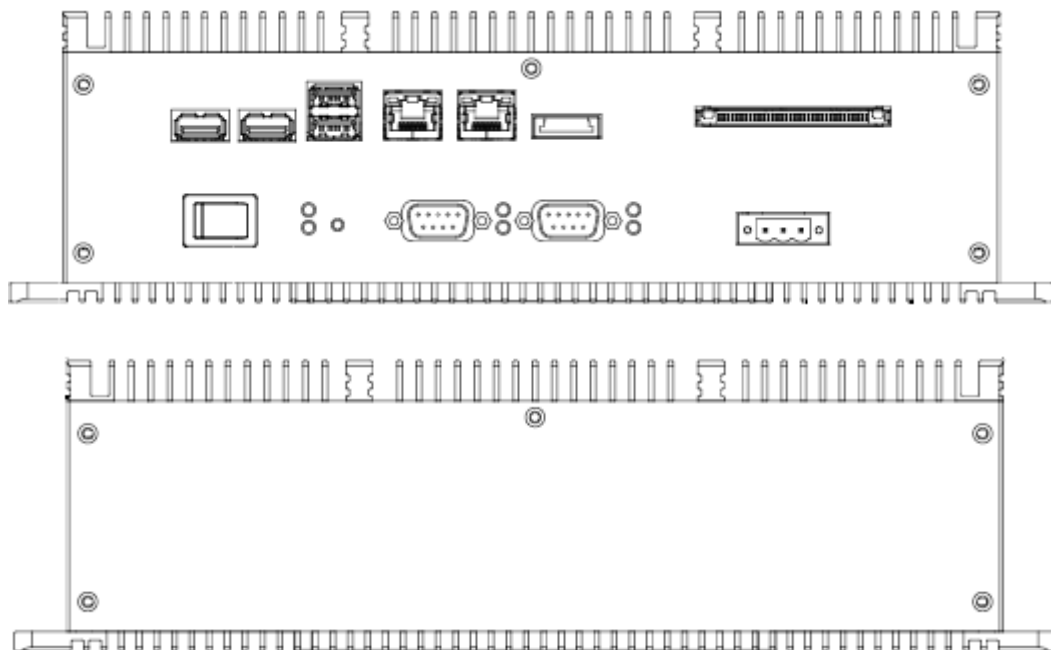
I330EAC-ID3



I330EAC-IV3

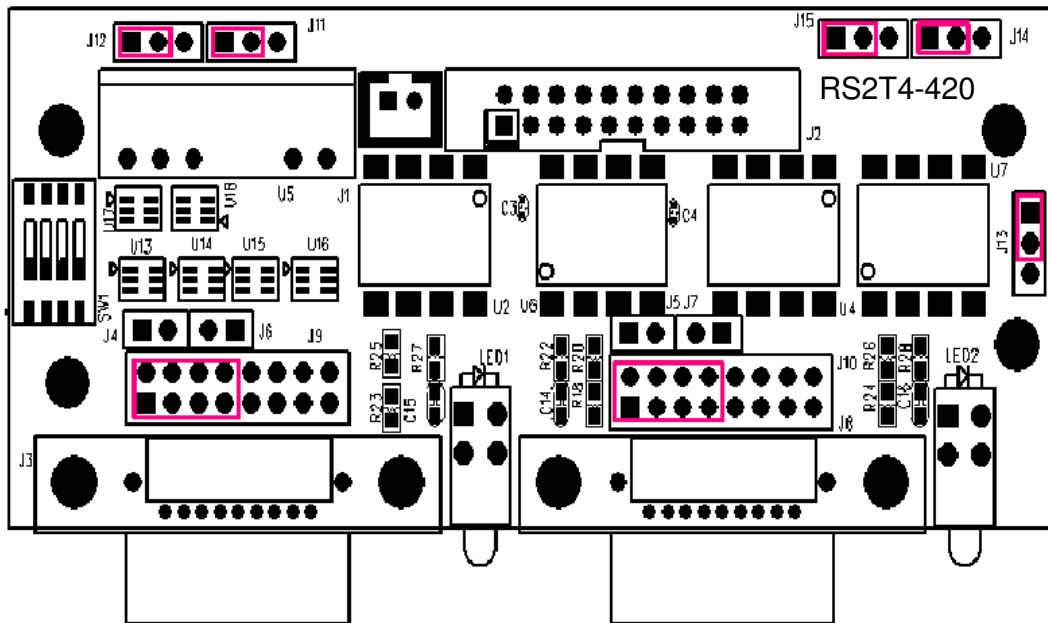


IS81EAC-201

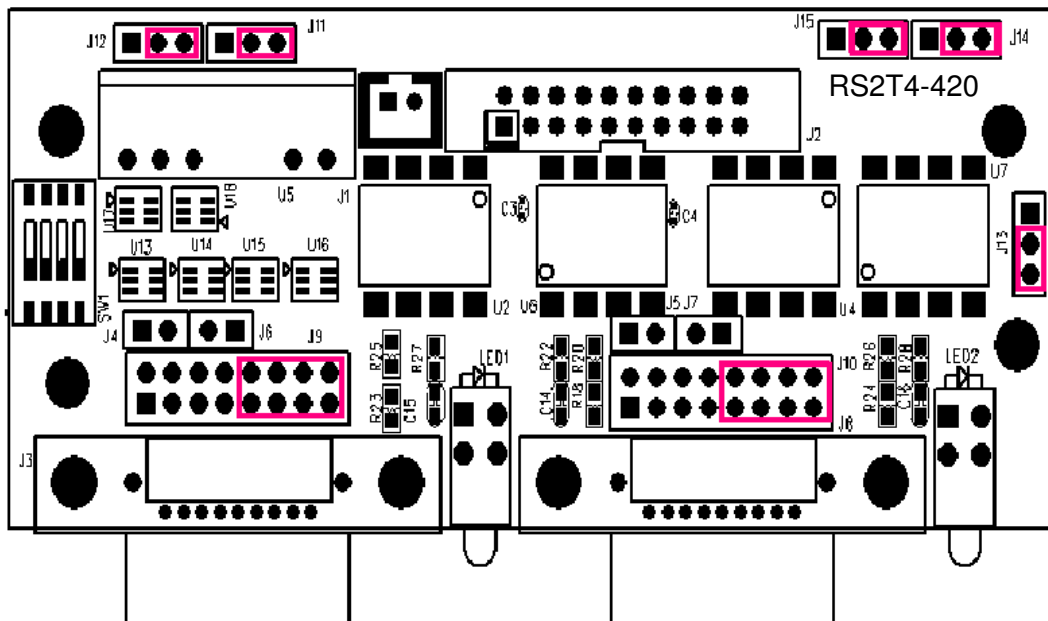


2. Jumper Settings

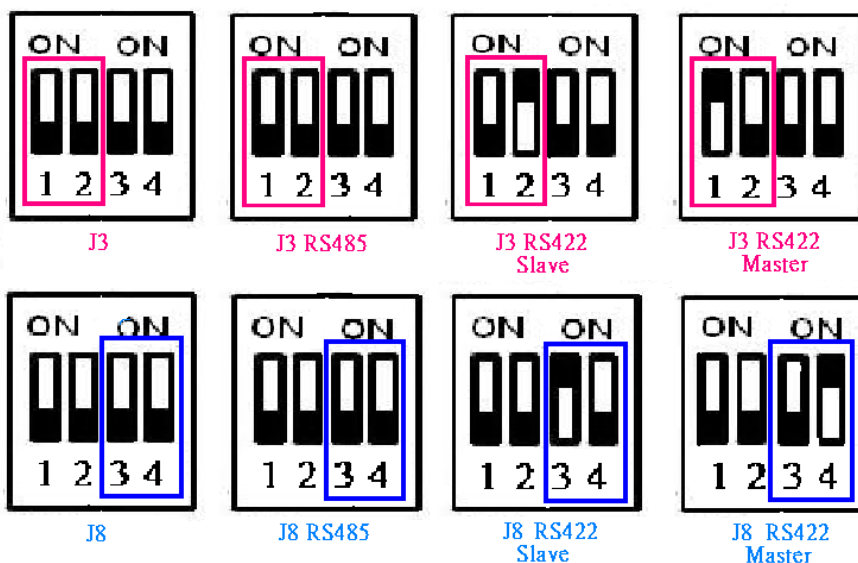
1.RS-485/RS-422



2.RS-232



SW1 (On Back side): COM3(J3) / COM4(J8) RS-422/485 Mode Switch



D-Sub 9P RS-232/RS-422/RS-485 (J3,J8)

Used connector: DB9 Female

Related connector: DB9 Male

Pin No.	Symbol	Description
1	P1	DCD/D-/TX-/RX-
2	P2	RXD/D+/TX+/RX+
3	P3	TXD/RX+/TX+
4	P4	DTR/RX-/TX-
5	GND	Ground
6	P6	DSR/NC
7	P7	RTS/NC
8	P8	CTS/NC
9	P9	RI/NC

Pins definition of J3 and J8 of 3 types

1. RS-485

Pin No.	Symbol	Description
1	P1	D-
2	P2	D+

2. RS-422 Master

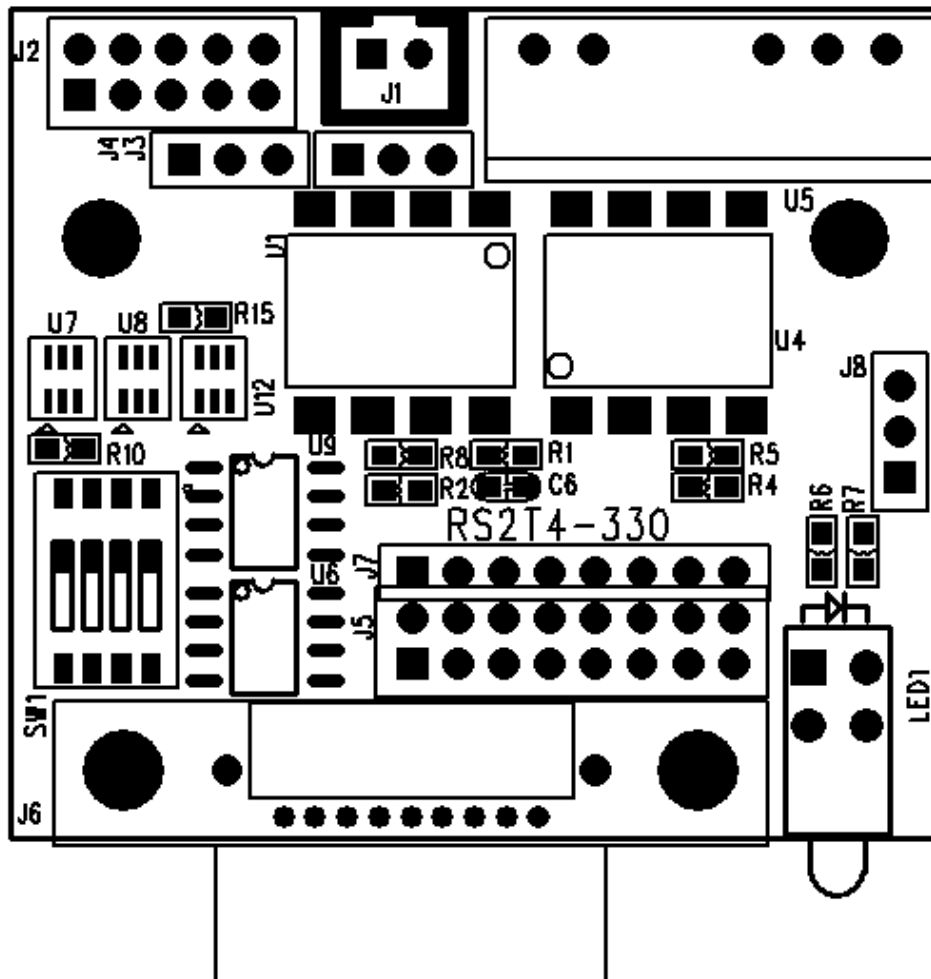
Pin No.	Symbol	Description
1	P1	TX-
2	P2	TX+

3	P3	RX+
4	P4	RX-

3. RS-422 Slave

Pin No.	Symbol	Description
1	P1	RX-
2	P2	RX+
3	P3	TX+
4	P4	TX-

RS2T4-330 (COM2)



D-Sub 9P RS-232/RS-422/RS-485

Used connector: DB9 Female

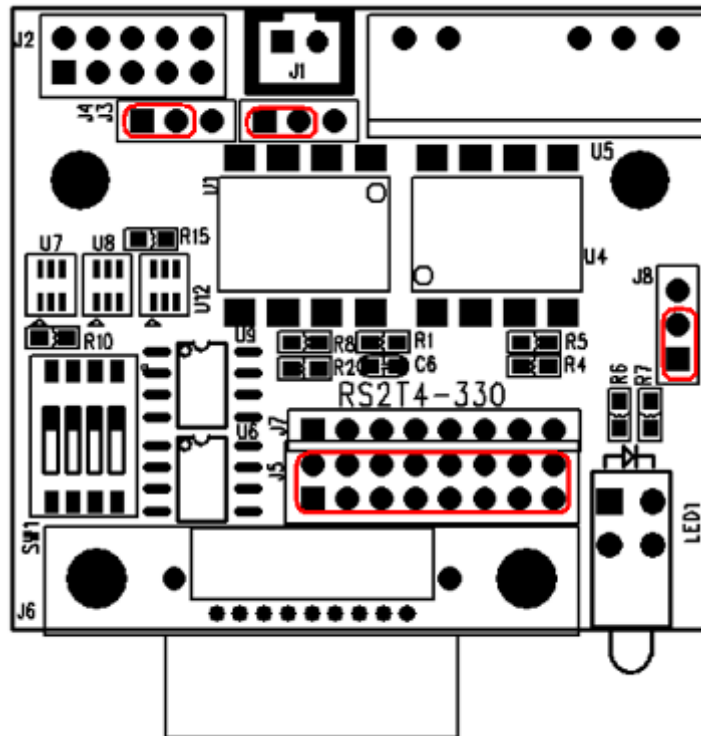
Related connector: DB9 Male

Pin No.	Symbol	Description
---------	--------	-------------

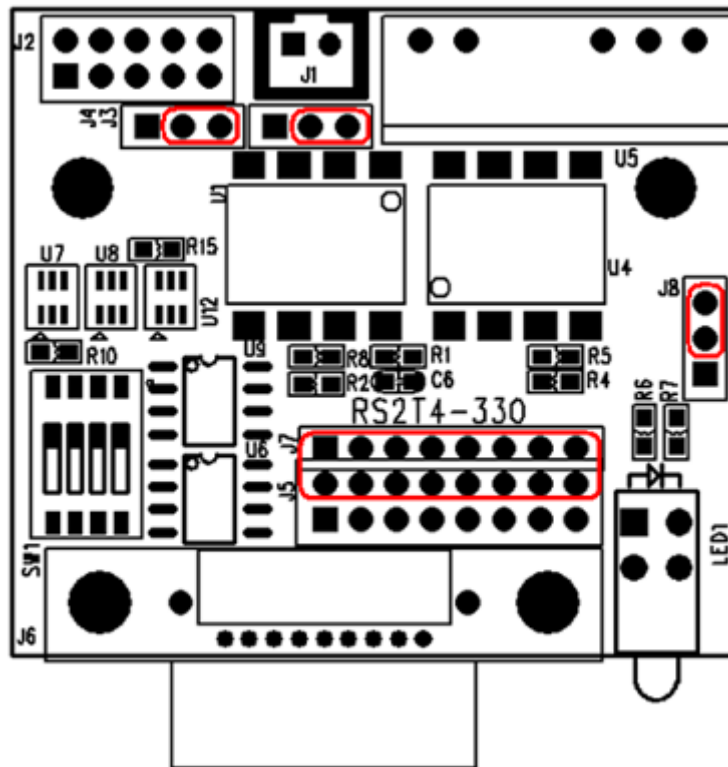
1	P1	DCD/D-/TX-/RX-
2	P2	RXD/D+/TX+/RX+
3	P3	TXD/RX+/TX+
4	P4	DTR/RX-/TX-
5	GND	Ground
6	P6	DSR/NC
7	P7	RTS/NC
8	P8	CTS/NC
9	P9	RI/NC

Jumpers for Mode Setting (COM2)

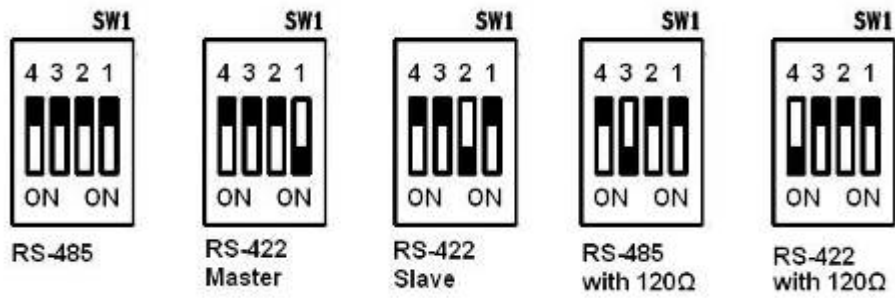
RS-485/RS-422



RS-232



SW1 for Mode Setting





CHAPTER 3

Operation the EAC

Chapter 3 Operation of the EAC

3.1 Input / Output Signals Overview

The EAC Box PCs designed with versatile computing functions fulfilling the embedded applications. The default function include COM ports (with isolated RS232/422/485), PS/2 for keyboard and mouse, VGA output, USB 2.0, power input connector, power switch, audio jack, and digital I/Os(IX30EAC-201 only).

IX30EAC-201

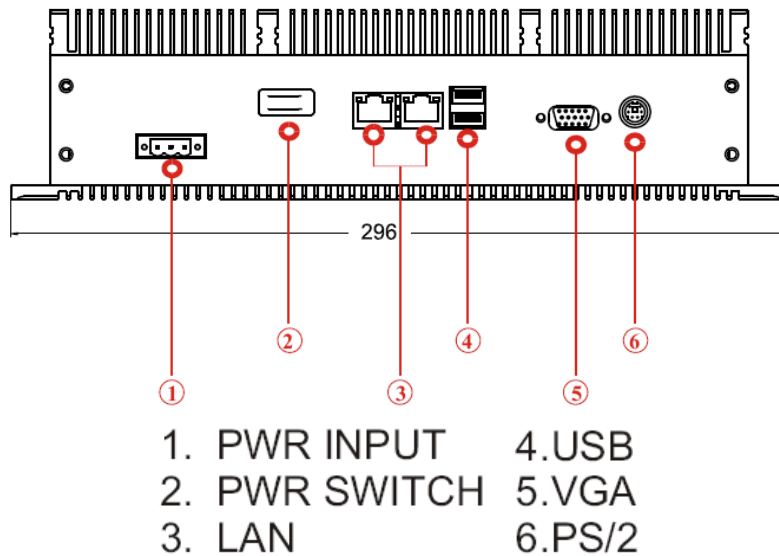


Figure 3.1 IX30EAC-201 Rear I/O Signals

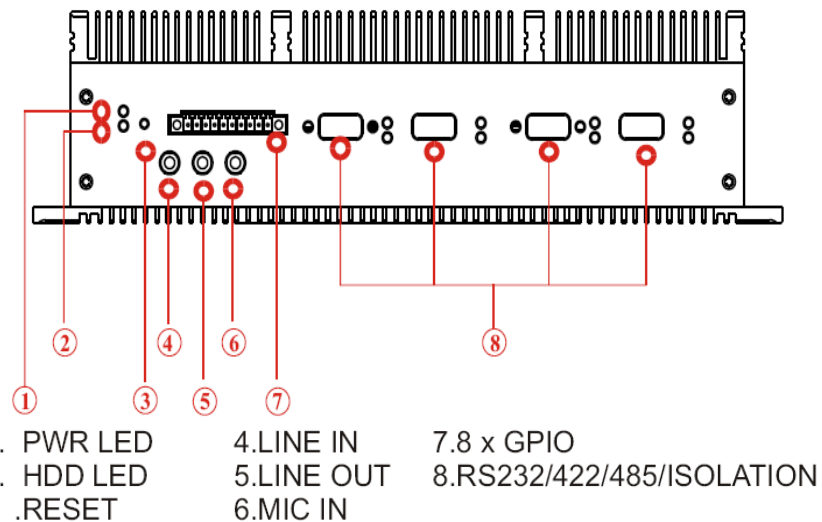
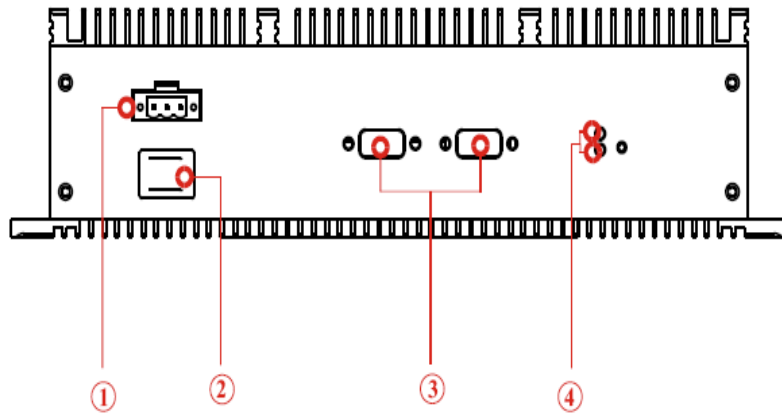
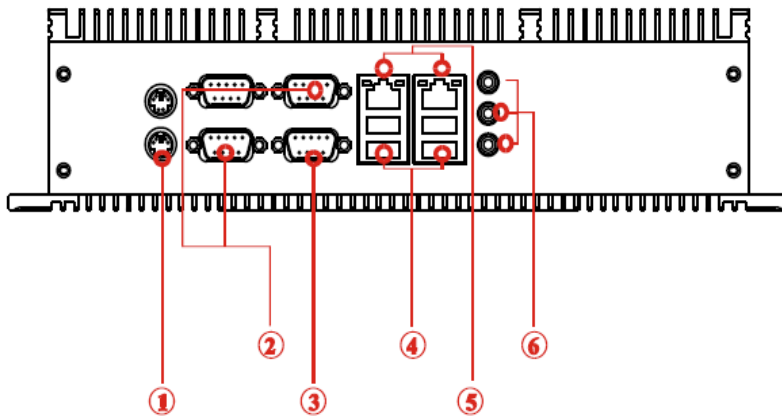


Figure 3.2 IX30EAC-201 Front I/O Signals

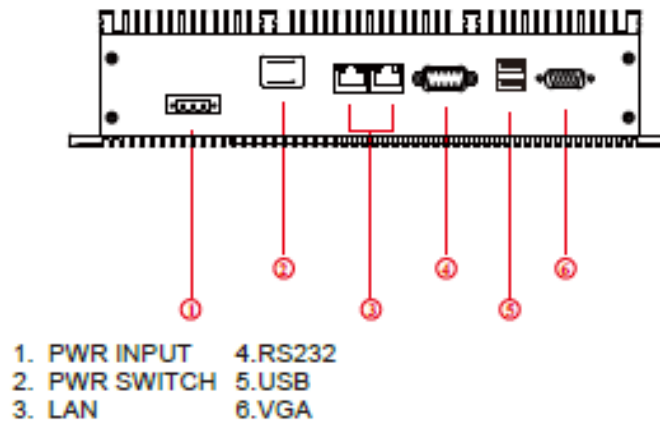
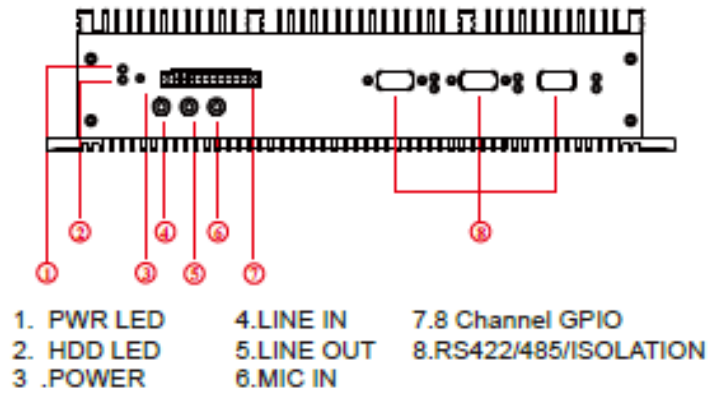


1. PWR INPUT
2. PWR SWITCH
3. RS232/422/485/ISOLATION
4. PWR/HDD LED
Figure 3.3 IX70EAC-201 Rear I/O Signals

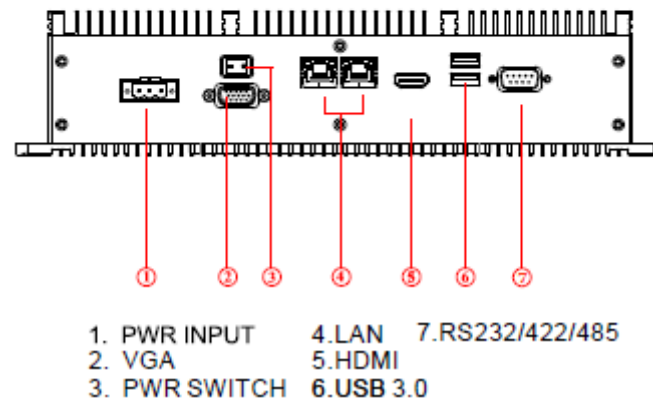
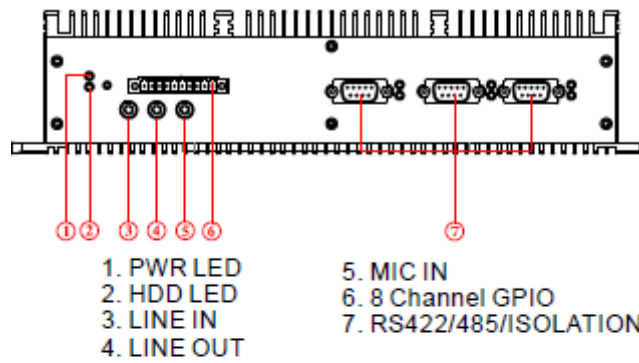


1. PS/2
2. RS-232 Conn.
3. VGA
4. USB
5. RJ-45
6. Audio Jack
Figure 3.3 IX70EAC-201 Front I/O Signals

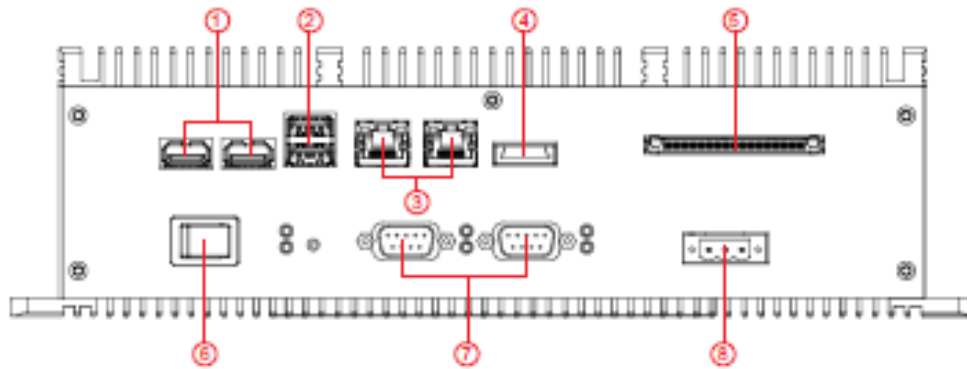
I330EAC-ID3



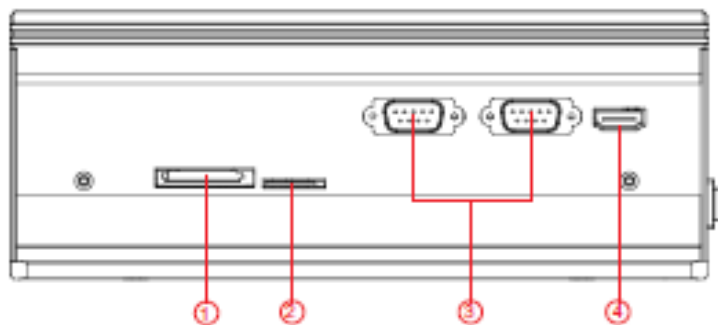
I330EAC-IV3



IS81EAC-201



- | | |
|-------------|-----------------------|
| 1. USB3.0 | 5. PCMCIA |
| 2. USB2.0 | 6. Power Switch |
| 3. Giga LAN | 7. Isolated RS422/485 |
| 4. eSATA | 8. 9~36 DC input |



- | | |
|-------------|----------|
| 1. SD Card | 3. RS232 |
| 2. SIM Card | 4. HDMI |

Power input (DC Version)

Default DC terminal block power source input compact design meets the maritime application. The terminal block is to be secured that the cable to screw terminal.

Serial ports for connection

The EAC support Rich COM ports (including isolated RS232/422/485) to satisfy the maritime accessories sensor units. Connect Standard D-SUB 9pin connector from accessory system to connect to the EAC to be a control center.

PS/2 port connection

PS/2 connectors are for keyboard and mouse. Standard accessory with PS/2 Y cable (IX30EAC-201 only) can connect to both keyboard and mouse.

VGA port connection

Use D-SUB 15-pin (Female) VGA signal cable to connect to the display. Fasten cable connectors with screws.

LAN port connection

The Panel PC supports one 10/100/100 Mbps Ethernet interface for connecting to the internet.

USB port connection

Use standard USB type A cable to connect any device that use USB interface for expansion functions.

3.2 Starting the EAC & O/S Installation

- 1. Connect the EAC to Monitor through VGA cable.**
- 2. Connect the power to DC source and turn on the power switch.**
- 3. Press “DEL” to enter the CMOS setting and check the BIOS setup.**
- 4. You may install your own O/S if it is not installed. When installing O/S for this EAC, please use external equipment including Keyboard and Mouse and external USB CD/DVD-ROM to run the O/S and Driver setting.**
- 5. To install the drivers, the EAC comes with a User’s Manual and Driver CD that contains most of the drivers and utilities of your needs. Following the step by step to install Driver (Please refer I330 SBC User’s Manual Chapter 3, 4, 5, 6) include: Chipset, VGA, Audio, and Ethernet.**

CHAPTER 4

Serial Ports Driver Installation

Chapter 4 Serial Ports Driver Installation

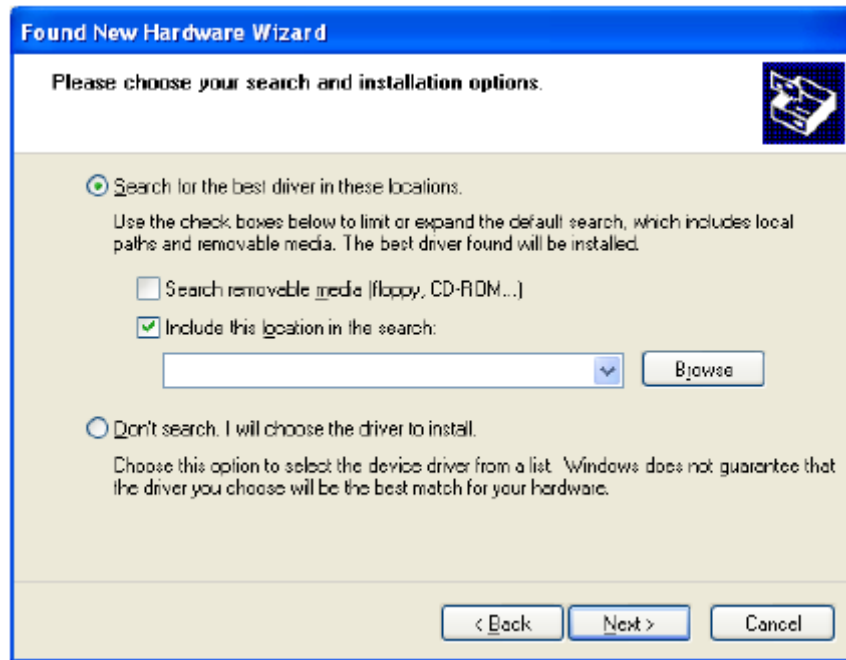
4.1 Installation of Driver for Serial Ports

Once the O/S is installed and the computer is restarted, Windows will detect the board and attempt to load the drivers for Serial Ports.

1. **Windows will detect a “PCI Serial Port”. Select “Install from a list or specific location (Advanced)” as the shown of figure below. Click “Next.”**



2. **Select “Search for the best driver in these locations.”, next select “Include this location in this search:” and then click “Browse” to open the “CD-ROM/Driver/PER-C40C MiniPCI RS-232 Module driver V1.0 for Windows” file as shown in figure below. Click “Next.”**



3. **Windows has found an updated driver for this device as shown in figure below. Click “Next.”**



4. **The “Completing the Found New Hardware Wizard” dialog Appears as shown in figure above, click “Finish.”**
5. **Repeat the above process for the second, third, fourth, fifth AAEON PCI Communications Port.**
6. **Please re-start your Windows.**

4.2 Finalizing Mini PCI RS-232 module settings

Check your Windows System/Device Manager to confirm proper installation of Mini PCI RS-232 drivers:

Multifunction adapters

AAEON OX16PCI954 PCI UARTs

AAEON OX16PCI95x PCI bridge Ports (COM & LPT)

4-port Mini PCI module will show 4 AAEON PCI Communications Port as the figure below shows 4 ports Mini PCI module.

