

R15L100-67C3(HB)

15" G-WIN IP67 Series Display



KEY FEATURES

- High Quality 15" XGA Panel, 1024 x 768 resolution, 1000 nits
- Full IP67 Dust Water-proof Protection
- Aluminum Housing with Anti-Corrosion Treatments
- Built-in ambient Light sensor
- Optical Bonding with Anti Moisture Treatments
- Anti-Shock and Vibration Standard according to IEC60068-2-27
- 5 Wire Resistive Touchscreen / Anti-Reflective Protection Glass
- 9V ~ 36V DC Isolation Wide Range Power Input
- Compliance with EN50155



SPECIFICATIONS

Display	
Resolution	1024x768
Contrast Ratio	2000:1
Display Color	16.2M Colors
Active Area	304.1x228.1 mm
Optional function	High brightness Panel for sunlight readable (Optional)
Size	15.0 inches
Panel Brightness	300.0 nits
View Angles	88,88,88,88
Touch / Glass	Resistive Touch Screen Bonding With Panel Protection Glass Without touch function (Optional)
Mechanical	
Dimension	398 x 308 x 58 mm
Mounting	VESA Mount Yoke Mount
Cooling System	Fanless design
Weight	4.2 kg
Enclosure	Aluminum Housing
Environment	
Operating Humidity	10% to 90% RH, Non-Condensing
Storage Temperature	-30°C to 70°C
Vibration	MIL-STD-810G Method 514.6 Procedure I
Operating Temperature	-10°C to 55°C -40°C to 70°C (with intelligent heater)
Shock	MIL-STD-810G Method 516.6 Procedure I (Optional)
IP rating	IP67
Certification	
Certification	CE, FCC
IO Ports	
Power Input	1 x M12 waterproof connector for 9~36V DC
Serial Port	1 x M12 type connector for Touchscreen via RS232 signal (Optional)
Indicator	1 x LED Indicator for power 1 x LED Indicator for status
USB Port	1x M12 type connector for Touchscreen via USB signal
Video	1x M12 type connector for VGA input 1x M21 type connector for HDMI input (Optional)
Control	
Button	1 x Power Button 1 x Adjust up button 1 x Adjust down button

1 x ESC (Auto) button
1 x OK (Menu) button

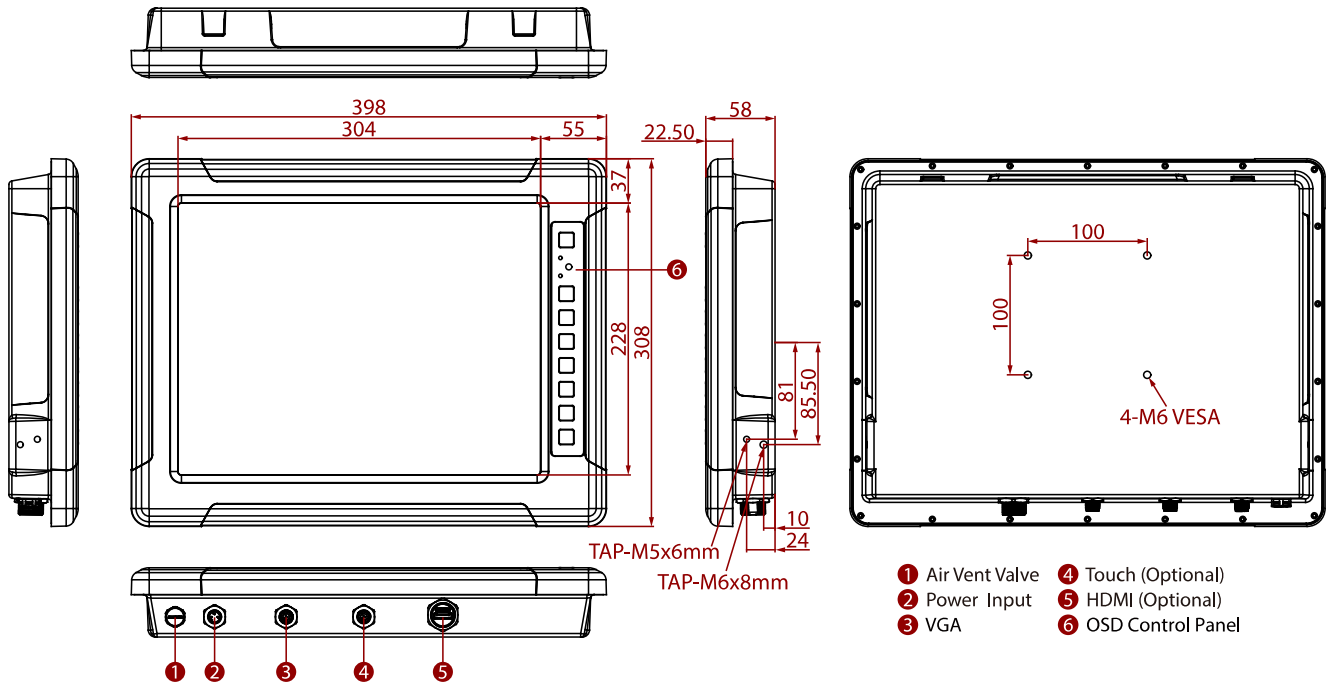
Accessory

Accessory External open wire Power cable with waterproof connector
External USB cable with waterproof connector
External VGA cable with waterproof connector
Waterproof caps
VESA screws

Optional Accessory Yoke mount stand (Optional)
100~240V AC to DC Adapter with power cord (Optional)
External COM cable with waterproof connector (Optional)
External HDMI cable with waterproof connector (Optional)

System Specification

DIMENSIONS UNIT:MM



NOTE

1. This is a simplified drawing and some components are not marked in detail.
2. The product shown in this datasheet is a standard model. For diagrams that contain customized or optional I/O, please contact the Winmate Sales Team for more information.
3. All specifications are subject to change without prior notice.