

# R17IT7T-PMM1

## 17" Intel® Core™ i5 (Tiger Lake) Panel Mount Panel PC



### KEY FEATURES

- Intel® Core™ Tiger Lake UP3 i5-1135G7 (Without vPro) / Intel® Core™ Tiger Lake UP3 i5-1145G7E (With vPro)
- 1280x1024 Resolution
- Multi display supports DP / HDMI / LVDS / eDP panel interface
- Multiple I/Os, 2 x Serial Ports, 4 x USB 3.2 Gen. 1 Ports
- 12V Single Voltage Power Input

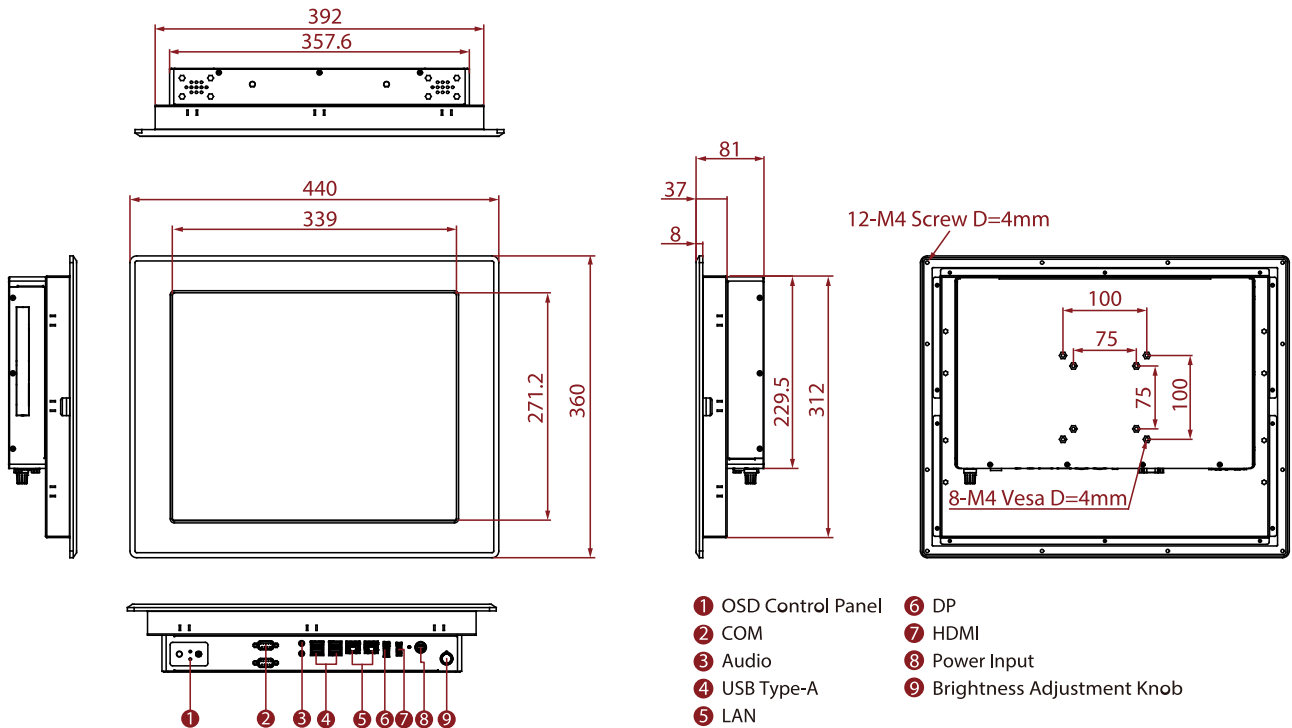


### SPECIFICATIONS

| Display                      |  |
|------------------------------|--|
| <b>Resolution</b>            | 1280x1024  |
| <b>Contrast Ratio</b>        | 1000:1   |
| <b>View Angles</b>           | 85,85,80,80  |
| <b>Touch / Glass</b>         | Resistive Touch Screen (Optional)<br>Protection Glass Without Touch Function (Optional)  |
| <b>Size</b>                  | 17 inches  |
| <b>Panel Brightness</b>      | 350 nits   |
| <b>Active Area</b>           | 337.920x270.336 mm   |
| System Specification         |  |
| <b>WLAN</b>                  | Support (Optional)   |
| <b>Processor</b>             | Intel Core i5-1135G7 2.4GHz (up to 4.2GHz)<br>Intel Core i5-1145G7 2.6GHz (up to 4.4GHz) (Optional)  |
| <b>Storage</b>               | 1 x M.2 M-Key 2242 SATA SSD or 1 x M.2 M-Key 2280 NVMe SSD<br>128GB<br>256GB (Optional)<br>512GB (Optional)<br>1TB(for NVMe) (Optional)<br>2TB(for NVMe) (Optional)<br>4TB(for NVMe) (Optional)<br>1 x SATA III , up to 2TB (Optional) |
| <b>Security</b>              | TPM 2.0  |
| <b>BT</b>                    | Support (Optional)   |
| <b>Memory</b>                | 1 x SO-DIMM, DDR4 3200 MHz, 4GB<br>8GB (Optional)<br>16GB (Optional)<br>32GB (Optional)<br>2 x SO-DIMM, DDR4 3200 MHz, 4GB (Optional)<br>8GB (Optional)<br>16GB (Optional)<br>32GB (Optional)<br>64GB (Optional)                       |
| <b>Ethernet controller</b>   | 2 x Intel® Ethernet Controller   |
| <b>Operating System</b>      | Windows 11 IoT Enterprise SAC (64 bit) (Optional)<br>Windows 10 IoT Enterprise (64 bit) (Optional)<br>Linux Ubuntu 22.04 (Optional)  |
| Mechanical                   |  |
| <b>Dimension</b>             | 440 x 360 x 81 mm  |
| <b>Enclosure</b>             | Metal Housing  |
| <b>Cut out</b>               | 394 x 314mm  |
| <b>Mounting</b>              | Panel mount<br>VESA Mount  |
| <b>Cooling System</b>        | Fanless design   |
| Environment                  |  |
| <b>Operating Humidity</b>    | 10% to 90% RH, Non-Condensing  |
| <b>Operating Temperature</b> | 0°C to 50°C  |

|                            |  |                       |   |
|----------------------------|--|-----------------------|---|
| <b>Storage Temperature</b> | -10°C to 60°C  |                       |   |
| <b>Certification</b>       |  |                       |   |
| <b>Certification</b>       | CE, FCC  |                       |   |
| <b>IO Ports</b>            |  |                       |   |
| <b>Power Input</b>         | 1 x 12V DC, Din4 pin connector   | <b>USB Port</b>       | 4 x USB3.2 Gen1x1 (Type-A)  |
| <b>Serial Port</b>         | 1 x RS232/422/485 (Default RS232)<br>1 x RS232                           | <b>Video</b>          | 1 x DP1.4<br>1 x HDMI 2.0 (Optional)  |
| <b>Audio</b>               | Mic in<br>Line out   | <b>Expansion Port</b> | 1 x M.2 2242/2280 Key M slot for SATA/NVMe SSD<br>1 x M.2 2230 Key E slot for WiFi (Optional) |
| <b>LAN</b>                 | 2 x Giga LAN RJ45 Connector  | <b>Indicator</b>      | 1 x LED Indicator for power<br>1 x LED Indicator for storage                                  |
| <b>Brightness Knob</b>     | 1 x Brightness Adjustment Knob   |                       |   |
| <b>Control</b>             |  |                       |   |
| <b>Button</b>              | 1 x Power Button<br>1 x Reset Button                                     |                       |   |
| <b>Accessory</b>           |  |                       |   |
| <b>Accessory</b>           | 100~240V AC to DC Adapter<br>Power Cord<br>VESA screws<br>Mounting clips |                       |   |
| <b>Power</b>               |  |                       |   |
| <b>Power Rating</b>        | 12V DC   | <b>Adapter</b>        | 12V 120W  |

## DIMENSIONS UNIT:MM



## NOTE

1. This is a simplified drawing and some components are not marked in detail.
2. Please contact our sales representative if you need further product information.
3. All specifications are subject to change without prior notice.
4. The product shown in this datasheet is a standard model. For diagrams that contain customized or optional I/O, please contact the Winmate Sales Team for more information.