

# R19L100-MLA3

## 19" G-WIN Defence Display



### KEY FEATURES

- 19" 1280 x 1024 resolution
- Compliant MIL-STD 810G/ MIL-STD 461E
- Fanless, streamlined enclosure for highly efficient heat dissipation
- Convenient on-screen display controls
- Wide operating temperature -40°C~70°C
- Power input 9~36 V DC with isolation
- Supports VESA mount
- Built-in intelligent heater design
- Support PIP Function



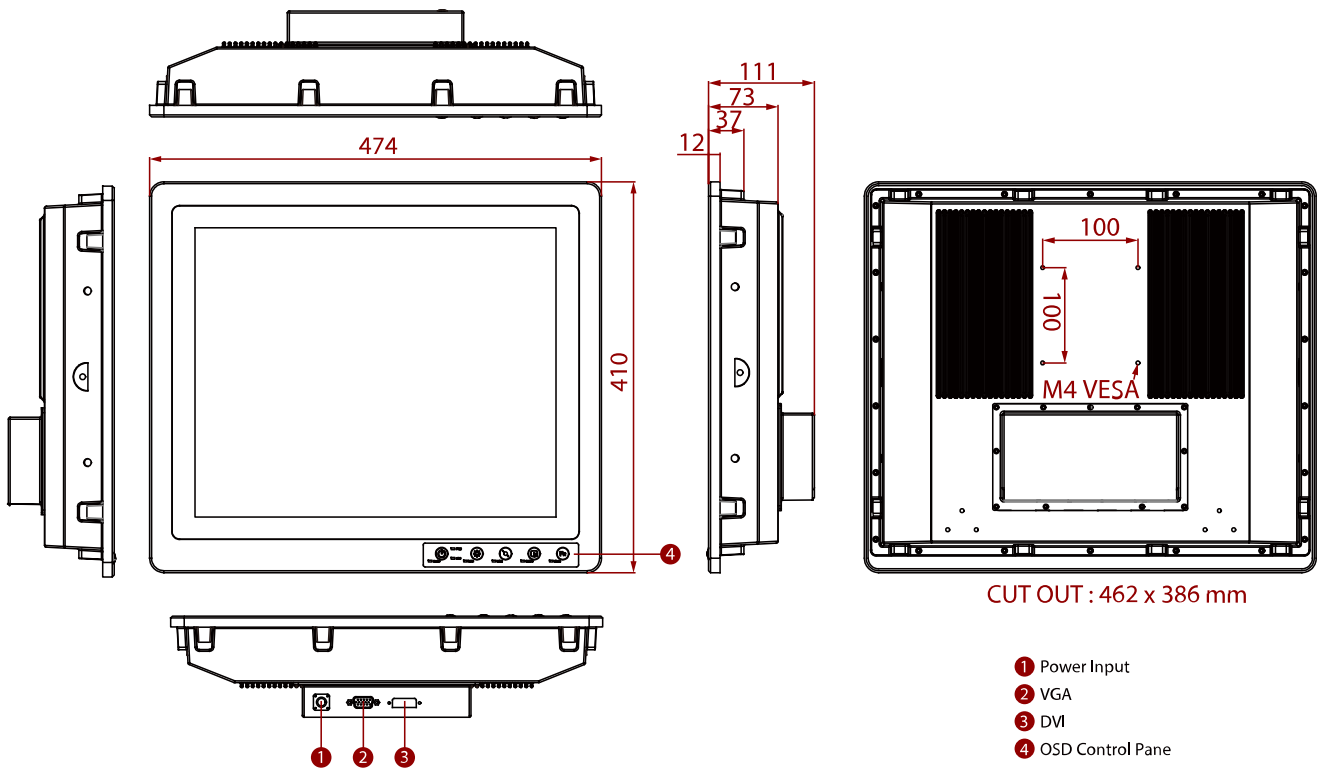
### SPECIFICATIONS

| Display                      |  |
|------------------------------|--|
| <b>Resolution</b>            | 1280x1024  |
| <b>Contrast Ratio</b>        | 1000:1   |
| <b>Display Color</b>         | 16.7M Colors   |
| <b>Active Area</b>           | 376.32x301.06 mm   |
| <b>Size</b>                  | 19 inches  |
| <b>Panel Brightness</b>      | 350 nits   |
| <b>View Angles</b>           | 85,85,80,80  |
| <b>Touch / Glass</b>         | AR Protection Glass<br>5 Wires Resistive Touch (Optional)<br>5 Wire Resistive with EMI Mesh Filter (Optional)<br>EMI Glass (Optional)      |
| Environment                  |  |
| <b>Operating Humidity</b>    | 10% to 95% RH  |
| <b>Storage Temperature</b>   | -40°C~70°C   |
| <b>Vibration</b>             | Operating: 1.60/1.96/2.18 g rms for XYZ / 5-500Hz  |
| <b>Operating Temperature</b> | -40°C~70°C   |
| <b>Shock</b>                 | Operating:30g for 18ms   |
| Compliance                   |  |
| <b>MIL-STD 461E/F</b>        | RE101 / RE102<br>CE101 / CE102<br>with EMI Glass / Touch(Optional)<br>RS101 / RS 103<br>CS101 / CS 106 / CS 109 / CS 114 / CS 115 / CS 116 |
| <b>MIL-STD 810F/G</b>        | Vibration Method 514.5<br>Humidity Method 507.4<br>Transit Drop Method516.5  |
| Certification                |  |
| <b>Certification</b>         | CE, FCC  |
| IO Ports                     |  |
| <b>Serial Port</b>           | 1 x RS232 Remote Control (Optional)  |
| <b>Video</b>                 | 1 x D-Sub 15 VGA<br>1 x DVI-D  |
| Mechanical                   |  |
| <b>Dimension</b>             | 474 x 410 x 111 mm   |
| <b>Enclosure</b>             | Metal Housing with Aluminum Bezel  |
| <b>Mounting</b>              | VESA Mount/ Wall Mount   |
| <b>Cooling System</b>        | Fanless Design   |
| Accessory                    |  |
| <b>Accessory</b>             | User Manual<br>AC Adapter 12V/ 84W   |

Open Wire Cable  
 Power Converter Cable, 0.15m  
 VGA, 1.8m  
 DVI Cable, 1.8m  
 COM Cable, 1.8m

|                     |  |
|---------------------|--|
| <b>Power</b>        |  |
| <b>Power Rating</b> | 9~36V DC Power input with isolation  |
| <b>Control</b>      |  |
| <b>Button</b>       | 8 key:<br>Power<br>Menu<br>Auto<br>Volume Up/ Swap<br>Volume Down/ PIP<br>Brightness Up<br>Brightness Down<br>LED Adjustment |

**DIMENSIONS** UNIT:MM



**NOTE**

1. This is a simplified drawing and some components are not marked in detail.
2. If you require an external test report, Winmate will charge an NRE fee.
3. Please contact our sales representative if you need further product information.
4. All specifications are subject to change without prior notice.
5. The product shown in this datasheet is a standard model. For diagrams that contain customized or optional I/O, please contact the Winmate Sales Team for more information.