

W12L100-VMM9(HB)

12.1" G-WIN VM Series Display



KEY FEATURES

- High Quality 12.1" Wide Panel, 1280 x 800 resolution
- Aluminum Housing with Anti-Corrosion Treatment
- Anti-Shock and Vibration Standard according to IEC60068-2-27
- 5 Wire Resistive Touchscreen
- Anti-Reflection Protection Glass (Optional)
- 10 ~ 60V DC Isolation Wide Range Power Input. Optional Ignition on/off control function.



SPECIFICATIONS

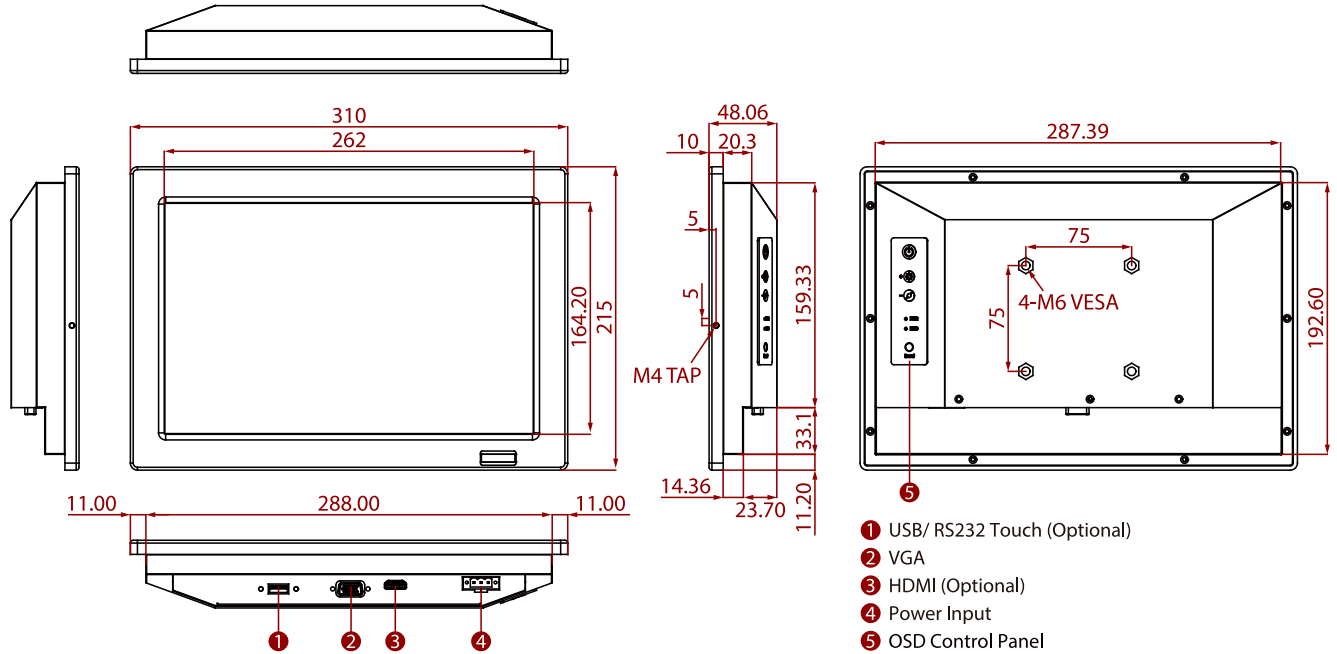
Display	
Resolution	1280x800
Contrast Ratio	1000:1
Display Color	16.2M Colors
Active Area	261.12x163.2 mm
Optional function	High brightness Panel for sunlight readable (Optional)
Size	12.1 inches
Panel Brightness	400 nits
View Angles	88,88,88,88
Touch / Glass	Resistive Touch Screen Protection Glass Without Touch Function (Optional)
Mechanical	
Dimension	310 x 215 x 52.7 mm
Enclosure	Aluminum Housing
Mounting	VESA Mount
Cooling System	Fanless design
Environment	
Operating Humidity	10% to 90% (non-condensing)
Storage Temperature	-30~70°C
Vibration	MIL-STD-810G Method 514.6
Operating Temperature	-10~55°C
Shock	MIL-STD-810G Method 516.6 (Optional)
IP rating	Front IP65
Certification	
Certification	CE, FCC
IO Ports	
Power Input	1 x 10~60V DC, 3-Pin Terminal Block
Serial Port	1 x RS232 D-sub9 for touch screen control (Optional)
Indicator	1 x LED Indicator for power 1 x LED Indicator for status
USB Port	1x USB type-A for touch screen control (Optional)
Video	1x VGA input 1x HDMI input (Optional)
Control	
Button	1 x Power Button 1 x Adjust up button 1 x Adjust down button 1 x ESC (Auto) button 1 x Menu button
Accessory	

Accessory

Open Wire Cable with terminal block connector
 External VGA cable
 Driver CD & Manual
 VESA screws

Optional Accessory

Yoke mount stand (Optional)
 100~240V AC to DC Adapter with power cord (Optional)
 External USB/COM cable for touchscreen control (Optional)
 External HDMI cable (Optional)

System Specification**DIMENSIONS** UNIT:MM**Winmate W12L100-VMM9****NOTE**

1. This is a simplified drawing and some components are not marked in detail.
2. The product shown in this datasheet is a standard model. For diagrams that contain customized or optional I/O, please contact the Winmate Sales Team for more information.
3. All specifications are subject to change without prior notice.